

Hydraulic Work Support

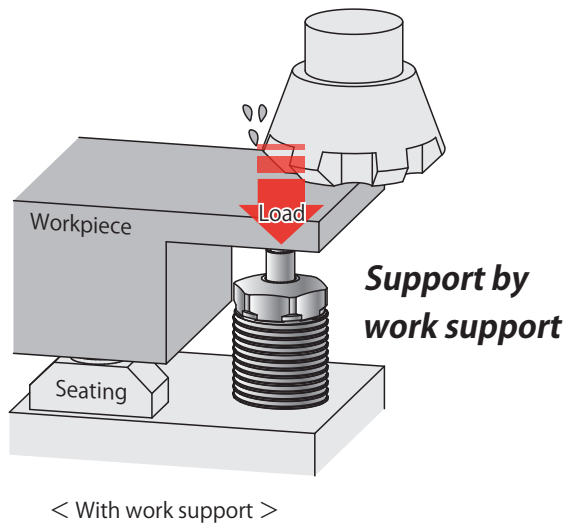
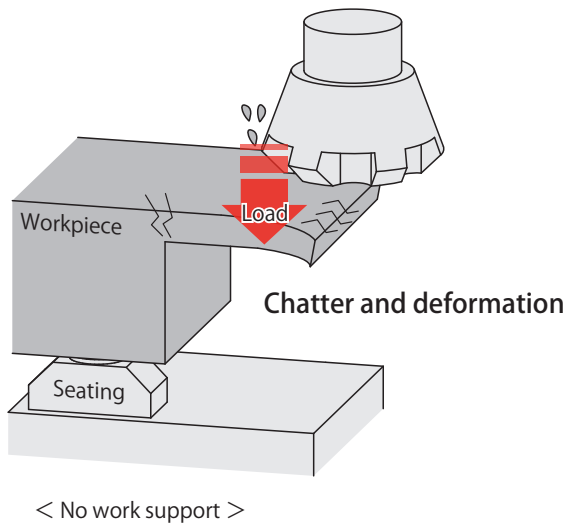
- Model LD
- Model LDD
- Model LC
- Model TNC
- Model TND
- Model TC



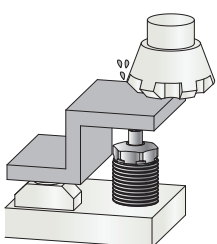
Strong Support from opposite side when load is exerted

Pioneer and leading innovator of hydraulic work support collet technology.

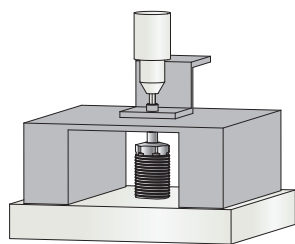
Work support eliminates chattering while machining and prevents deformation by the cutting load.



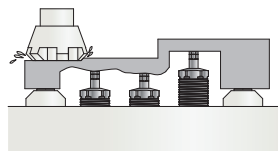
Application Examples



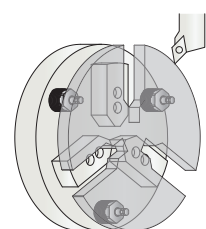
To avoid chattering during machining of thin-walled sections








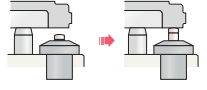
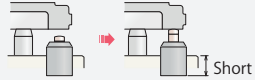
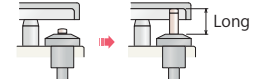
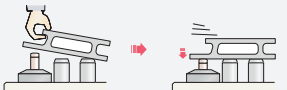




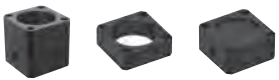



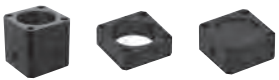


To back up the screw fastener machine and a nut-runner



Workpiece with different heights



To avoid the radial chatter on lathe machining

Single-Acting Model						
		Model LD → P.721	Model LC → P.745	Model TNC → P.775	Model TC → P.797	Model LCW Not on this catalog
Classification		Low Pressure Threaded	Low Pressure Top Flange	High Pressure Threaded	High Pressure Top Flange	Low Pressure Top Flange
Operating Pressure Range		2.5 ~ 7MPa	2.5 ~ 7MPa	7~35MPa	7~25MPa	2.5 ~ 7MPa
Standard Hydraulic Advance Model 		External Dimensions → P.731	External Dimensions → P.757	External Dimensions → P.785	External Dimensions → P.807	
Options	Hydraulic Advance Short Model 	External Dimensions → P.731	—	—	—	
	Hydraulic Advance Long Stroke Model 	External Dimensions → P.733	External Dimensions → P.759	External Dimensions → P.787	External Dimensions → P.809	
	Spring Advance Model Spring Advance Short Model 	External Dimensions → P.735	External Dimensions → P.763	External Dimensions → P.789	External Dimensions → P.811	
	Spring Advance Long Stroke Model 	External Dimensions → P.737	External Dimensions → P.765	External Dimensions → P.789	★	Further info on the website.
	Air Sensing Option  Able to Install Air Sensor	External Dimensions → P.739	External Dimensions → P.769	External Dimensions → P.791	★	
	Rodless Hollow Model 	—	External Dimensions → P.767	—	External Dimensions → P.813	
Manifold Block 	—	LZ-MP → P.1336	—	LZ-MP → P.1336		
Piping Block 	LZ-S/SQ DZ-C/R → P.1341	—	TNZ-S/SQ → P.1345	—		
Speed Control Valve Plug 	—	BZL, BZX, JZG BZS → P.947	—	BZT, BZX, JZG → P.947		
Air Vent 	—	XLC-VENT → P.817	—	XLC-VENT → P.817		
Accessories	Manifold Block 	—	LZ-MP → P.1336	—	LZ-MP → P.1336	
	Piping Block 	LZ-S/SQ DZ-C/R → P.1341	—	TNZ-S/SQ → P.1345	—	
	Speed Control Valve Plug 	—	BZL, BZX, JZG BZS → P.947	—	BZT, BZX, JZG → P.947	
	Air Vent 	—	XLC-VENT → P.817	—	XLC-VENT → P.817	

- High-Power Series
- Pneumatic Series
- Hydraulic Series
- Valve / Coupler Hydraulic Unit
- Manual Operation Accessories
- Cautions / Others
- Hole Clamp
 - SFA
 - SFC
- Swing Clamp
 - LHA
 - LHC
 - LHS
 - LHW
 - LG/LT
 - TLA-2
 - TLB-2
 - TLA-1
- Link Clamp
 - LKA
 - LKC
 - LKW
 - LJ/LM
 - TMA-2
 - TMA-1
- Work Support
 - LD
 - LC
 - TNC
 - TC
- Air Sensing Lift Cylinder
 - LLW
- Linear Cylinder / Compact Cylinder
 - LL
 - LLR
 - LLU
 - DP
 - DR
 - DS
 - DT
- Block Cylinder
 - DBA/DBC
- Centering Vise
 - FVA
 - FVD
 - FVC
- Control Valve
 - BZL
 - BZT
 - BZX/JZG
 - BZS
- Pallet Clamp
 - VS/VT
- Expansion Locating Pin
 - VFL/VFM
 - VFJ/VFK
- Pull Stud Clamp
 - FP
 - FQ
- Customized Spring Cylinder
 - DWA/DWB

※ Please contact us for details of ★ part.

Hydraulic Work Support

Model TC

High Pressure (7 ~ 25MPa)

Single Action • Flange Model

Powerful Support • Smooth Action



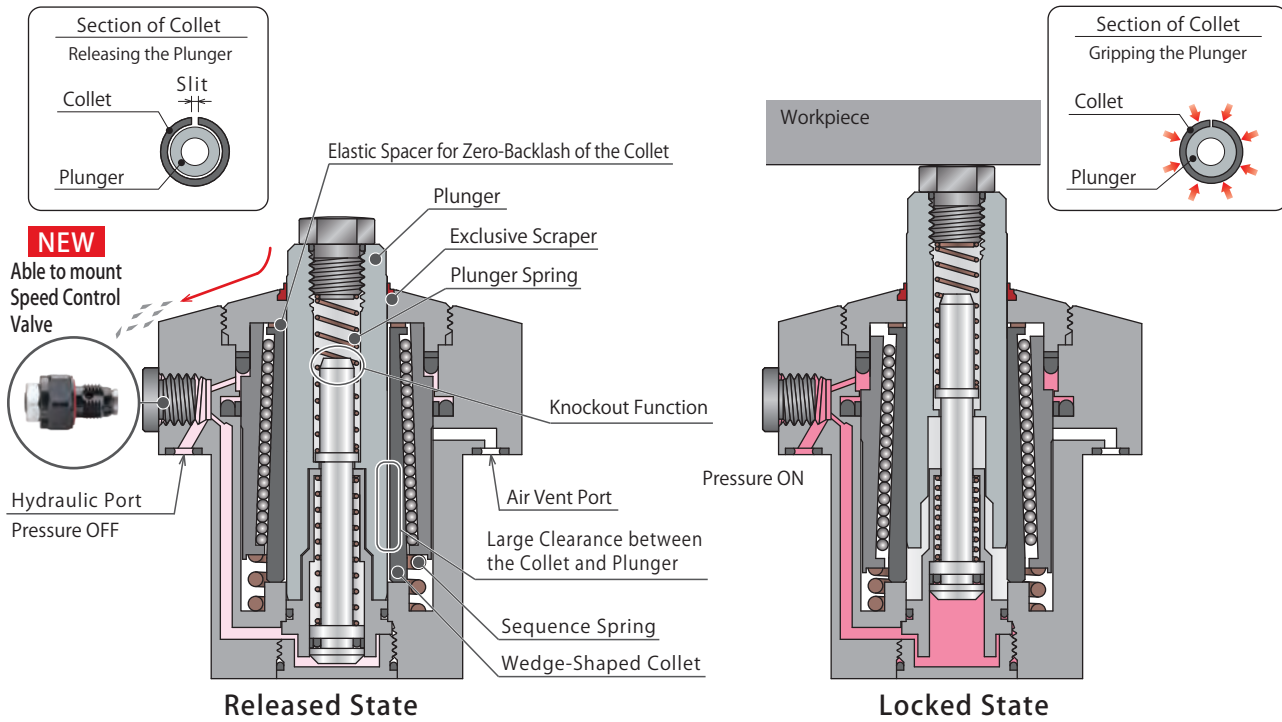
- Due to the design number change, environmental durability has been improved.
- Due to the design number change, BZT Speed Control Valve (accessory) has become available.
- New options added : Model TC-EQ / TC-M / TC-M-Q / TC-M-E / TC-M-EQ

● Index

Hydraulic Work Support Digest	_____	P.719
Cross Section	_____	P.798
Action Description	_____	P.798
Model No. Indication	_____	P.801
Specifications	_____	P.802
Performance Curve	_____	P.803
External Dimensions		
• Hydraulic Advance Model (Standard) (TC)	_____	P.807
• Hydraulic Advance Model (Long Stroke Model) (TC-Q)	_____	P.809
• Spring Advance Model (TC-E)	_____	P.811
• Rodless Hollow Model (TC-D)	_____	P.813
Air Purge Function	_____	P.815
Plunger Spring Design Dimensions	_____	P.816
Accessories		
• Air Vent	_____	P.817
• Control Valve	_____	P.947
• Manifold Block (Common Items of Other Models)	_____	P.1336
Cautions		
• Notes for Hydraulic Work Support	_____	P.819
• Cautions (Common)	_____	P.1355
• Installation Notes • Hydraulic Fluid List • Notes on Hydraulic Cylinder Speed Control Circuit		
• Notes on Handling • Maintenance/Inspection • Warranty		

Hydraulic Advance Model (Standard) (TC)

Cross Section



Powerful Support and Smooth Action

KOSMEK was the first to develop the collet design in 1996. Compared with the traditional sleeve design, it ensures powerful gripping force via a wedge effect. In addition, a larger gap between collet and plunger is designed to prevent sticking and allow smoother action. The load applied to the workpiece is soft with only plunger spring force.

Concrete Workpiece Touch

As the collet gripping the plunger is always pressed downwards by "elastic spacer", it helps prevent tilting when locked and the clearance with the workpiece.

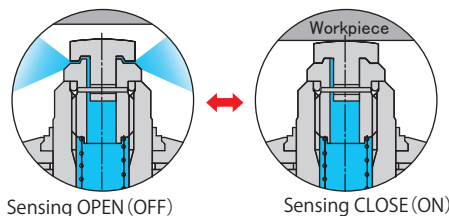
Certain Sequence Action

As it is equipped with a powerful sequencing spring, the action sequences as such; Plunger goes up → workpiece touches → collet locks. This is carried out via one hydraulic circuit system.

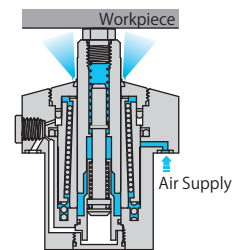
Superior Environmental Durability **NEW**

The work support can be used in various environments with the exclusive scraper to prevent the accumulation of dust such as cutting chips and the knockout function to release adherence after a long-time machine stop.

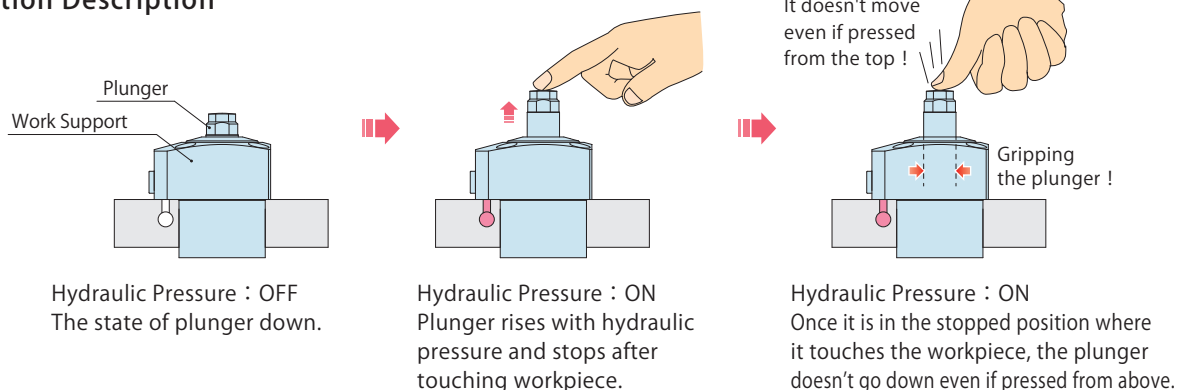
Air Sensing Option



Air Purging Possible



Action Description



High-Power Series
Pneumatic Series
Hydraulic Series
Valve / Coupler Hydraulic Unit
Manual Operation Accessories
Cautions / Others

Hole Clamp
SFA
SFC
Swing Clamp
LHA
LHC
LHS
LHW
LG/LT
TLA-2
TLB-2
TLA-1
Link Clamp
LKA
LKC
LKW
LJ/LM
TMA-2
TMA-1

Work Support
LD
LC
TNC
TC

Air Sensing Lift Cylinder
LLW
Linear Cylinder / Compact Cylinder
LL
LLR
LLU
DP
DR
DS
DT

Block Cylinder
DBA/DBC
Centering Vise
FVA
FVD
FVC

Control Valve
BZL
BZT
BZX/JZG
BZS

Pallet Clamp
VS/VT

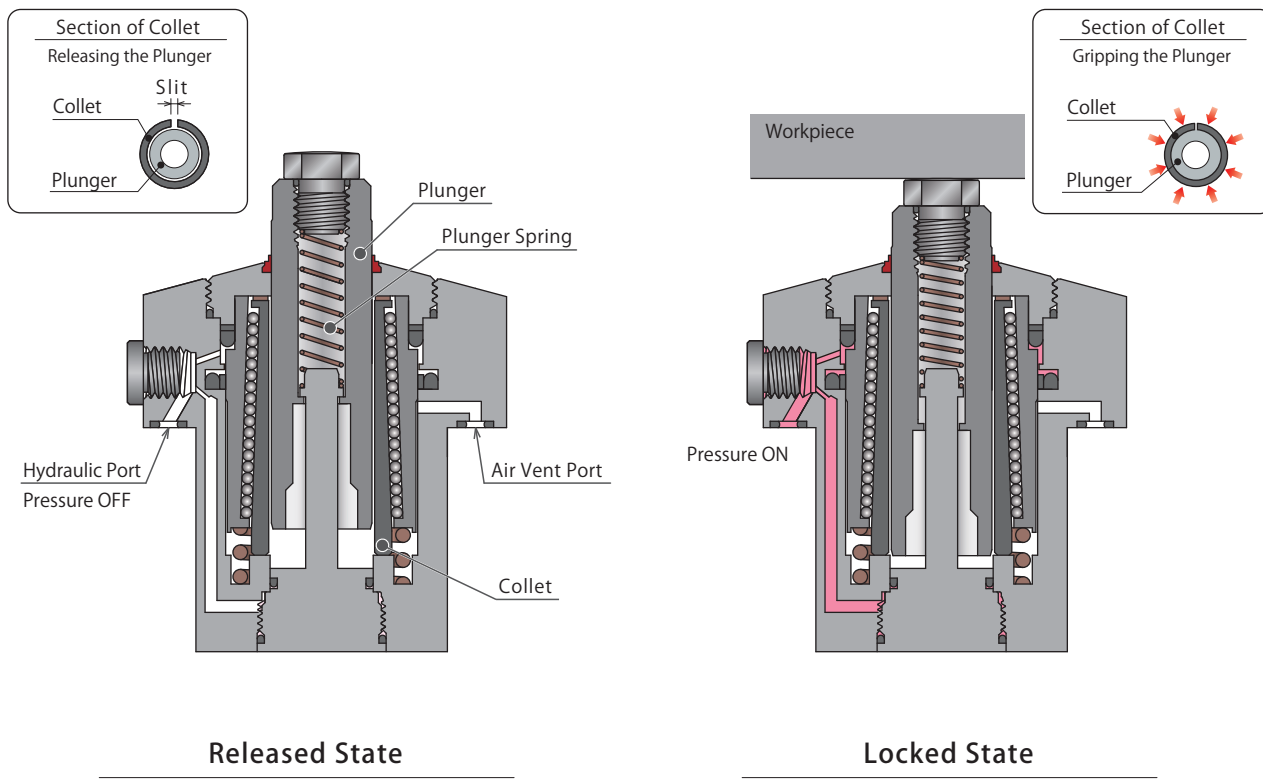
Expansion Locating Pin
VFL/VFM
VFJ/VFK

Pull Stud Clamp
FP
FQ

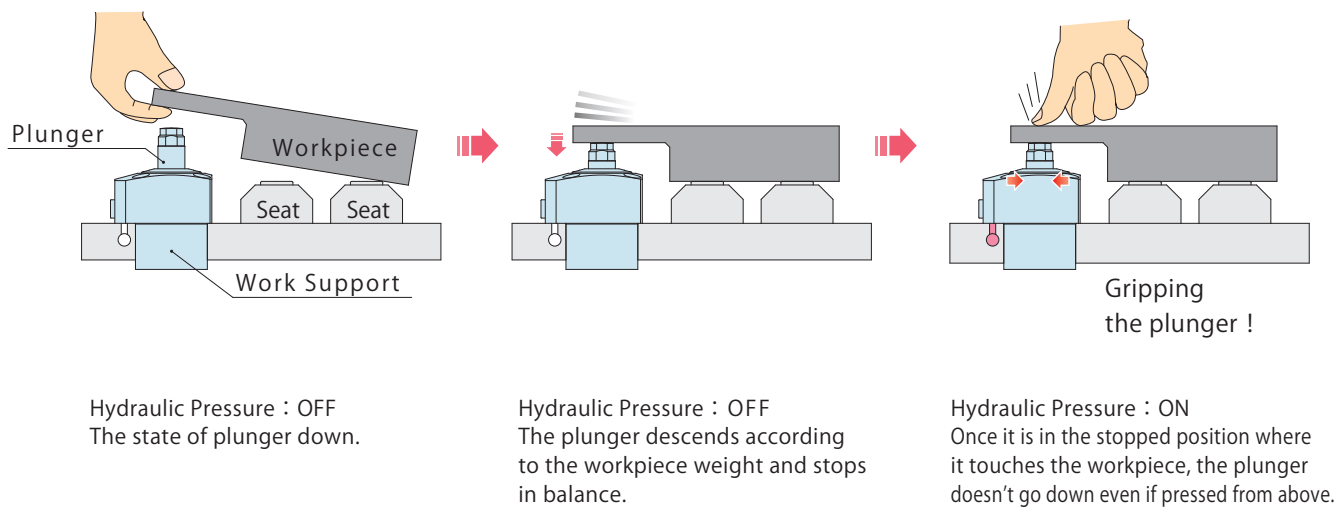
Customized Spring Cylinder
DWA/DWB

Spring Advance Model (TC-E)

● Cross Section



● Action Description

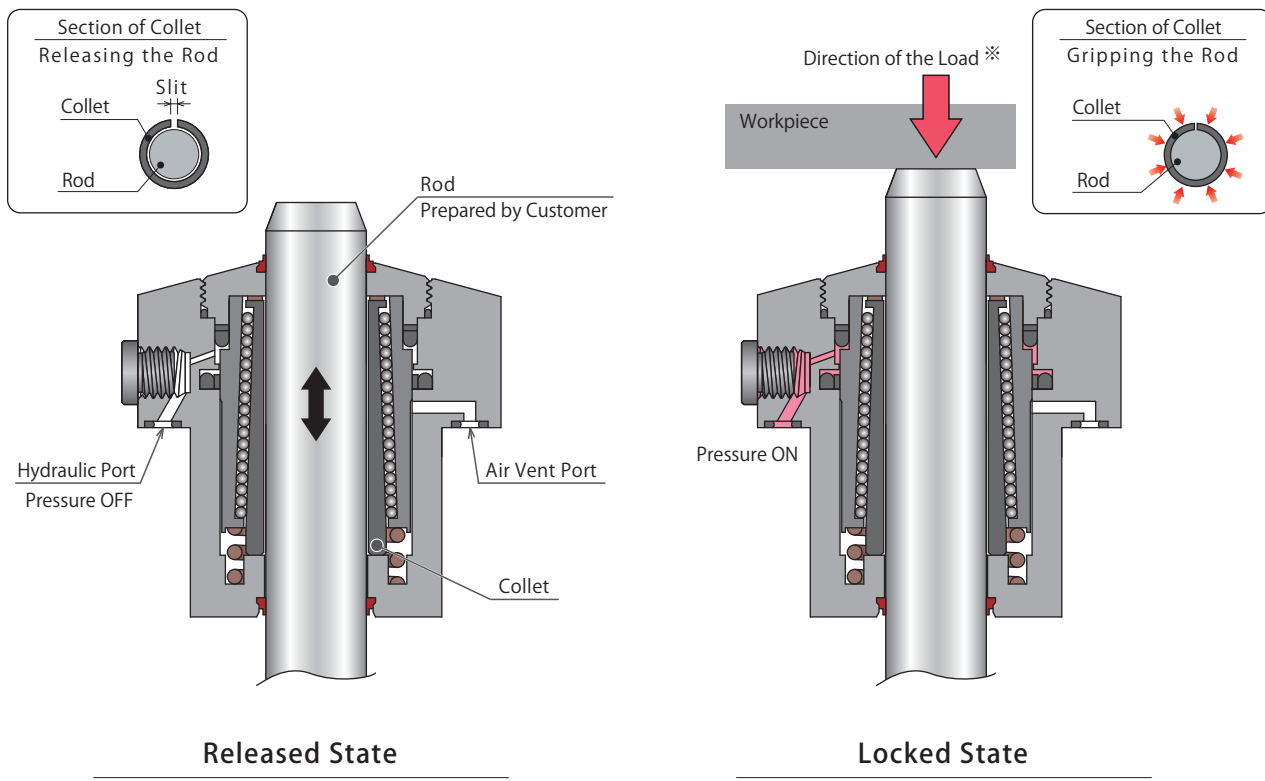


● Air Sensing Option (TC-M / TC-M-E / TC-M-Q/ TC-M-EQ)

Available to check action by connecting the air catch sensor at an vent port and then detecting differential pressure. Please refer to the air sensor page for further details.

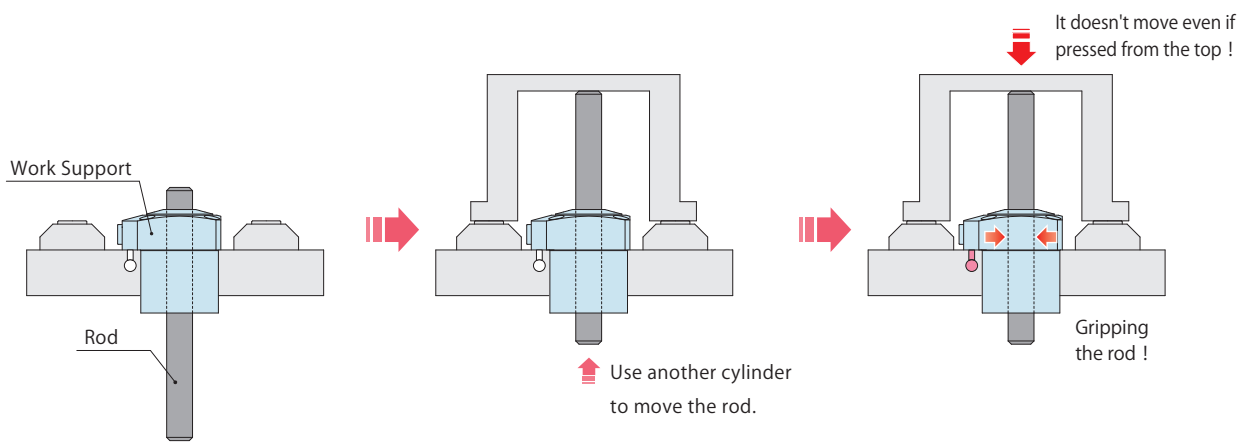
Rodless Hollow Model (TC-D)

Cross Section



※ The load acts towards the arrow direction as shown in the drawing.

Action Description



Hydraulic Pressure : OFF
Work Support is not gripping the rod.
(Rod is prepared by customer.)

Hydraulic Pressure : OFF
Use another cylinder to move the rod until it touches the workpiece.

Hydraulic Pressure : ON
After gripping is completed, the rod does not go down even when load is applied from the top.

High-Power Series

Pneumatic Series

Hydraulic Series

Valve / Coupler Hydraulic Unit

Manual Operation Accessories

Cautions / Others

Hole Clamp

- SFA
- SFC

Swing Clamp

- LHA
- LHC
- LHS
- LHW
- LG/LT
- TLA-2
- TLB-2
- TLA-1

Link Clamp

- LKA
- LKC
- LKW
- LJ/LM
- TMA-2
- TMA-1

Work Support

- LD
- LC
- TNC

TC

Air Sensing Lift Cylinder

- LLW

Linear Cylinder / Compact Cylinder

- LL
- LLR
- LLU
- DP
- DR
- DS
- DT

Block Cylinder

- DBA/DBC

Centering Vise

- FVA
- FVD
- FVC

Control Valve

- BZL
- BZT
- BZX/JZG
- BZS

Pallet Clamp

- VS/VT

Expansion Locating Pin

- VFL/VFM
- VFJ/VFK

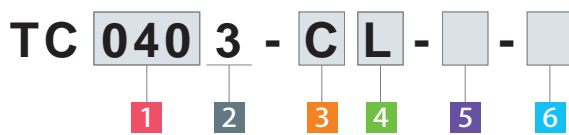
Pull Stud Clamp

- FP
- FQ

Customized Spring Cylinder

- DWA/DWB

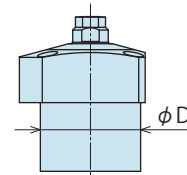
● Model No. Indication



1 Body Size

- 040** : $\phi D=40\text{mm}$
- 048** : $\phi D=48\text{mm}$
- 055** : $\phi D=55\text{mm}$
- 065** : $\phi D=65\text{mm}$
- 075** : $\phi D=75\text{mm}$

※ Outer diameter (ϕD) of the cylinder.

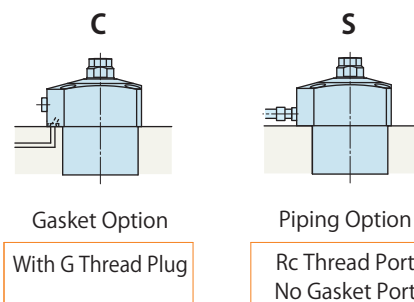


2 Design No.

3 : Revision Number

3 Piping Method

- C** : Gasket Option (With G Thread Plug)
- S** : Piping Option (Rc Thread Port) ※¹



4 Plunger Spring Force

- L** : Low Spring Force
- H** : High Spring Force
- Blank** : For **6** Option Q / D

5 Plunger Action Confirmation

- Blank** : None (Standard)
- M** : Air Sensing Option ※¹※²

6 Options

- Blank** : Hydraulic Advance Model (Standard)
- Q** : Hydraulic Advance Long Stroke Model ※²
- E** : Spring Advance Model
- EQ** : Spring Advance Long Stroke Model
- D** : Rodless Hollow Model (Rod is prepared by customer.)

5 Plunger Action Confirmation Symbol	1 Body Size (● = Available Option)				
	$\phi D=40$	$\phi D=48$	$\phi D=55$	$\phi D=65$	$\phi D=75$
6 Option Symbol	TC 0403	TC 0483	TC 0553	TC 0653	TC 0753
Blank	●	●	●	●	●
Q	●	●	●	●	●
E	●	●	●	●	●
EQ	●	●	●	●	●
D	●	●	●	●	●
M	●	●	●	●	●
M-Q	●	●	●	●	●
M-E	●	●	●	●	●
M-EQ	●	●	●	●	●

Notes :

※1. Please contact us for the combination of **3 S** : Piping Option and **5 M** : Air Sensing Option.

※2. Please contact us for detailed specification and external dimensions for the combination of **5 M** : Air Sensing Option and **6 Q** : Long Stroke Model.

Specifications

Option 6 Blank / E

Model No.	TC0403-□□	TC0483-□□	TC0553-□□	TC0653-□□	TC0753-□□	
	TC0403-□□-E	TC0483-□□-E	TC0553-□□-E	TC0653-□□-E	TC0753-□□-E	
Support Force at 25MPa	kN	10	15.5	25	40	65
Support Force (Calculation Formula) ^{※1}	kN	0.47×P-1.63	0.72×P-2.52	1.16×P-4.07	1.86×P-6.51	3.02×P-10.58
Plunger Stroke	mm	10	12	14	16	20
Effective Stroke	6 Blank	9.5	11.5	13.5	15.5	19.5
Cylinder Capacity	6 Blank	1.1	1.9	2.5	4.7	6.5
	6 E	0.3	0.6	0.9	1.5	2.5
Plunger ^{※2}	L:Low Spring Force	5.8~9.7	8.3~14.6	9.8~14.6	12.4~18.8	14.6~21.0
Spring Force N	H:High Spring Force	7.9~13.6	10.1~21.9	15.8~22.0	18.7~31.9	21.4~34.2
Max. Operating Pressure	MPa	25				
Min. Operating Pressure	MPa	7				
Operating Temperature	°C	0~70				
Weight	kg	0.7	1.1	1.6	2.7	4.3

Option 6 Q

Model No.	TC0403-□-Q	TC0483-□-Q	TC0553-□-Q	TC0653-□-Q	TC0753-□-Q	
	Support Force at 25MPa	kN	10	15.5	25	40
Support Force (Calculation Formula) ^{※1}	kN	0.47×P-1.63	0.72×P-2.52	1.16×P-4.07	1.86×P-6.51	3.02×P-10.58
Plunger Stroke	mm	20	24	28	32	40
Effective Stroke	6 Q	19.5	23.5	27.5	31.5	39.5
Cylinder Capacity	cm ³	1.9	3.3	4.0	7.9	10.5
Plunger Spring Force ^{※2}	N	7.8~20.4	10.1~24.8	15.8~28.4	18.7~42.3	21.4~44.0
Max. Operating Pressure	MPa	25				
Min. Operating Pressure	MPa	7				
Operating Temperature	°C	0~70				
Weight	kg	0.8	1.3	1.8	3.0	4.6

Option 6 D

Model No.	TC0403-□-D	TC0483-□-D	TC0553-□-D	TC0653-□-D	TC0753-□-D	
	Support Force at 25MPa	kN	6.3	10	16	25
Support Force (Calculation Formula) ^{※1}	kN	0.29×P-1.03	0.47×P-1.63	0.74×P-2.60	1.16×P-4.07	1.86×P-6.51
Cylinder Capacity	cm ³	0.3	0.6	0.9	1.5	2.5
Max. Operating Pressure	MPa	25				
Min. Operating Pressure	MPa	7				
Operating Temperature	°C	0~70				
Weight	kg	0.5	0.8	1.3	2.2	3.5

Notes: ※1. "P" in the formula for support force indicates the hydraulic pressure (MPa).

※2. The plunger spring force indicates the spring design value. It may vary depending on sliding resistance of the plunger and characteristic of the spring, etc. Please read it as a reference value of workpiece contact force.

High-Power Series
Pneumatic Series
Hydraulic Series
Valve / Coupler Hydraulic Unit
Manual Operation Accessories
Cautions / Others

Hole Clamp
SFA
SFC

Swing Clamp
LHA
LHC
LHS
LHW
LG/LT
TLB-2
TLA-1

Link Clamp
LKA
LKC
LKW
LJ/LM
TMA-2
TMA-1

Work Support
LD
LC
TNC
TC

Air Sensing Lift Cylinder
LLW

Linear Cylinder / Compact Cylinder
LL
LLR
LLU
DP
DR
DS
DT

Block Cylinder
DBA/DBC

Centering Vise
FVA
FVD
FVC

Control Valve
BZL
BZT
BZX/JZG
BZS

Pallet Clamp
VS/VT

Expansion Locating Pin
VFL/VFM
VFJ/VFK

Pull Stud Clamp
FP
FQ

Customized Spring Cylinder
DWA/DWB

● Performance Curve (TC-□□ : Hydraulic Advance Model / TC-□□-E : Spring Advance Model)

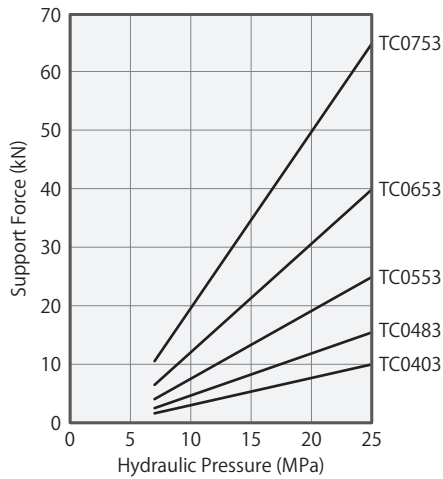
Applicable Model

TC 040 3 - C S L H - Blank E

1 Body Size

6 Option : Blank / E

Support Force Graph ※ This graph shows the support force under static load condition.

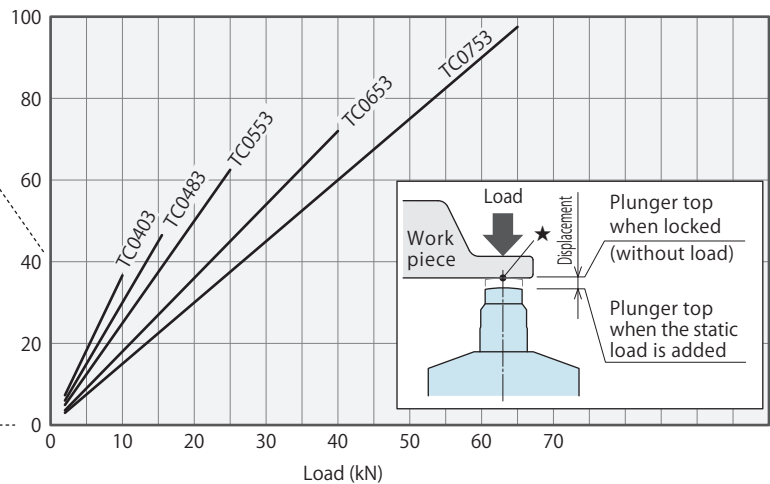
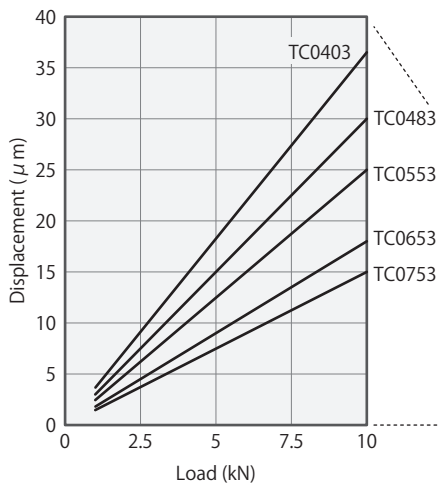


		Support Force (kN)				
Model No.	TC0403-□□	TC0483-□□	TC0553-□□	TC0653-□□	TC0753-□□	
Hydraulic Pressure (MPa)	TC0403-□□-E	TC0483-□□-E	TC0553-□□-E	TC0653-□□-E	TC0753-□□-E	
25	10.0	15.5	25.0	40.0	65.0	
22.5	8.9	13.7	22.0	35.3	57.4	
20	7.8	11.9	19.1	30.7	49.8	
17.5	6.6	10.1	16.2	26.0	42.3	
15	5.4	8.3	13.3	21.4	34.7	
12.5	4.2	6.5	10.4	16.7	27.2	
10	3.1	4.7	7.5	12.1	19.6	
7.5	1.9	2.9	4.6	7.4	12.1	
Support Force Formula ^{※1} kN		$0.47 \times P - 1.63$	$0.72 \times P - 2.52$	$1.16 \times P - 4.07$	$1.86 \times P - 6.51$	$3.02 \times P - 10.58$

Note : ※ 1. P : Operating Hydraulic Pressure (MPa)

※ This graph shows the static load-displacement of a single work support at supply hydraulic pressure 25MPa.

Load / Displacement Graph (Not including the displacement of the workpiece side due to unevenness at ★ mark and surrounding clamps.)



Performance Curve (TC-□-Q : Hydraulic Advance Long Stroke Model)

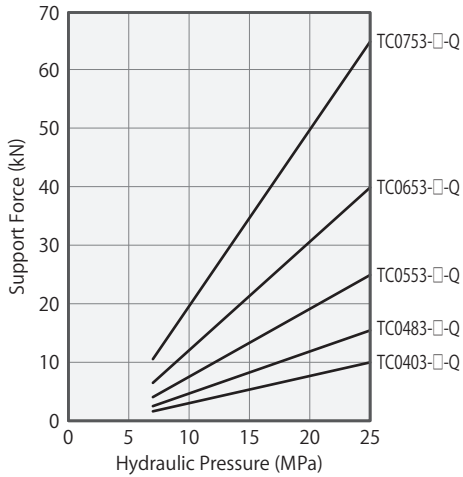
Applicable Model

TC **040** **3** - **C** - **Q**

1 Body Size

6 Option : Q

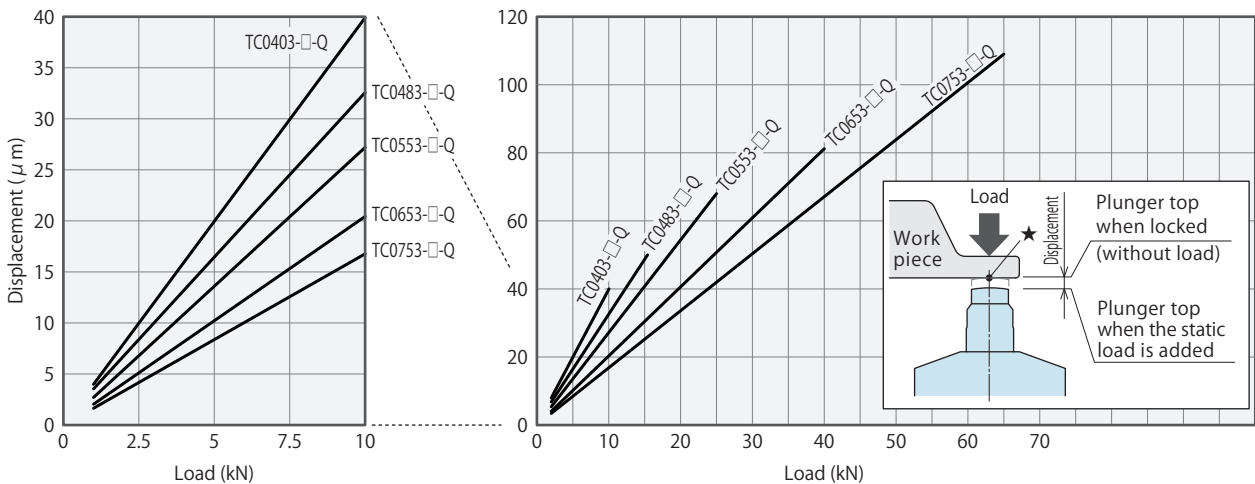
Support Force Graph ※ This graph shows the support force under static load condition.



Model No.	Support Force (kN)				
	TC0403-□-Q	TC0483-□-Q	TC0553-□-Q	TC0653-□-Q	TC0753-□-Q
Hydraulic Pressure (MPa)					
25	10.0	15.5	25.0	40.0	65.0
22.5	8.9	13.7	22.0	35.3	57.4
20	7.8	11.9	19.1	30.7	49.8
17.5	6.6	10.1	16.2	26.0	42.3
15	5.4	8.3	13.3	21.4	34.7
12.5	4.2	6.5	10.4	16.7	27.2
10	3.1	4.7	7.5	12.1	19.6
7.5	1.9	2.9	4.6	7.4	12.1
Support Force Formula ^{※1} kN	$0.47 \times P - 1.63$	$0.72 \times P - 2.52$	$1.16 \times P - 4.07$	$1.86 \times P - 6.51$	$3.02 \times P - 10.58$

Note : ※1. P : Operating Hydraulic Pressure (MPa)

Load / Displacement Graph (Not including the displacement of the workpiece side due to unevenness at ★ mark and surrounding clamps.)



※ The Displacement of TC-□-Q : Long Stroke Model is larger than that of TC-□□ : Standard Model.

High-Power
Series

Pneumatic Series

Hydraulic Series

Valve / Coupler
Hydraulic UnitManual Operation
Accessories

Cautions / Others

Hole Clamp

SFA
SFC

Swing Clamp

LHA
LHC
LHS
LHW
LG/LT
TLA-2
TLB-2
TLA-1

Link Clamp

LKA
LKC
LKW
LJ/LM
TMA-2
TMA-1

Work Support

LD
LC
TNC
TCAir Sensing
Lift Cylinder

LLW

Linear Cylinder /
Compact CylinderLL
LLR
LLU
DP
DR
DS
DT

Block Cylinder

DBA/DBC

Centering Vise

FVA
FVD
FVC

Control Valve

BZL
BZT
BZX/JZG
BZS

Pallet Clamp

VS/VT

Expansion
Locating PinVFL/VFM
VFJ/VFK

Pull Stud Clamp

FP
FQCustomized
Spring Cylinder

DWA/DWB

Performance Curve (TC-□-D : Rodless Hollow Model)

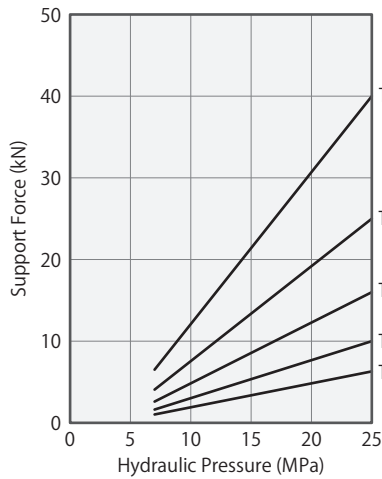
Applicable Model

TC 040 3 - C S - D

1 Body Size

6 Option : D

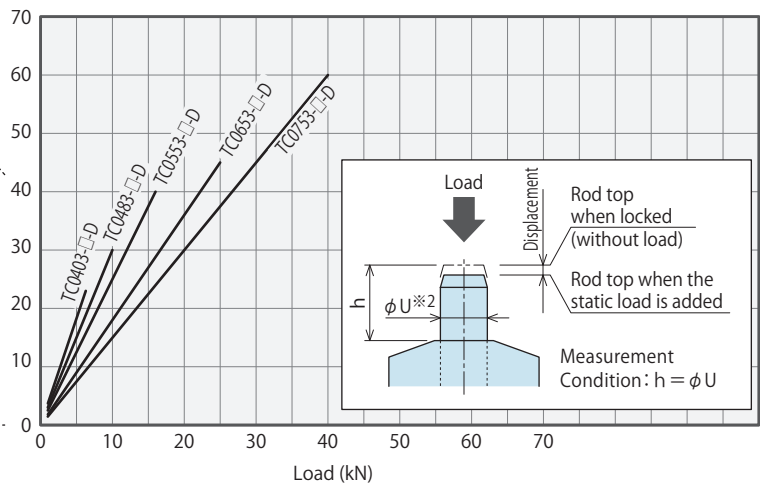
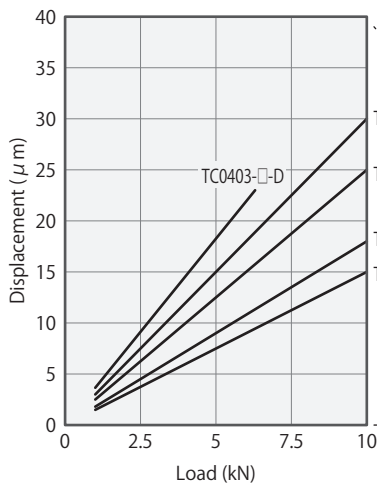
Support Force Graph ※ This graph shows the support force under static load condition.



Model No.	Support Force (kN)				
	TC0403-□-D	TC0483-□-D	TC0553-□-D	TC0653-□-D	TC0753-□-D
Hydraulic Pressure (MPa)					
25	6.3	10.0	16.0	25.0	40.0
22.5	5.6	8.8	14.1	22.1	35.3
20	4.8	7.7	12.3	19.2	30.7
17.5	4.1	6.5	10.4	16.3	26.0
15	3.4	5.3	8.6	13.4	21.4
12.5	2.6	4.2	6.7	10.5	16.7
10	1.9	3.0	4.8	7.6	12.1
7.5	1.2	1.9	3.0	4.7	7.4
Support Force Formula ※1 kN	$0.29 \times P - 1.03$	$0.47 \times P - 1.63$	$0.74 \times P - 2.60$	$1.16 \times P - 4.07$	$1.86 \times P - 6.51$

Note : ※1. P : Operating Hydraulic Pressure (MPa)

Load / Displacement Graph ※ This graph shows the static load-displacement of a single work support at supply hydraulic pressure 25MPa. The displacement varies depending on the length of the rod used, so please use it as a reference value.



Note : ※2. For the dimension of φU, please refer to "External Dimensions and Machining Dimensions for Mounting" on P.814.


MEMO
**High-Power
Series**
Pneumatic Series
Hydraulic Series
**Valve / Coupler
Hydraulic Unit**
**Manual Operation
Accessories**
Cautions / Others
Hole Clamp

 SFA
SFC

Swing Clamp

 LHA
LHC
LHS
LHW
LG/LT
TLA-2
TLB-2
TLA-1

Link Clamp

 LKA
LKC
LKW
LJ/LM
TMA-2
TMA-1

Work Support

 LD
LC
TNC

TC
**Air Sensing
Lift Cylinder**

LLW

**Linear Cylinder /
Compact Cylinder**

 LL
LLR
LLU
DP
DR
DS
DT

Block Cylinder

DBA/DBC

Centering Vise

 FVA
FVD
FVC

Control Valve

 BZL
BZT
BZX/JZG
BZS

Pallet Clamp

VS/VT

**Expansion
Locating Pin**

 VFL/VFM
VFJ/VFK

Pull Stud Clamp

 FP
FQ

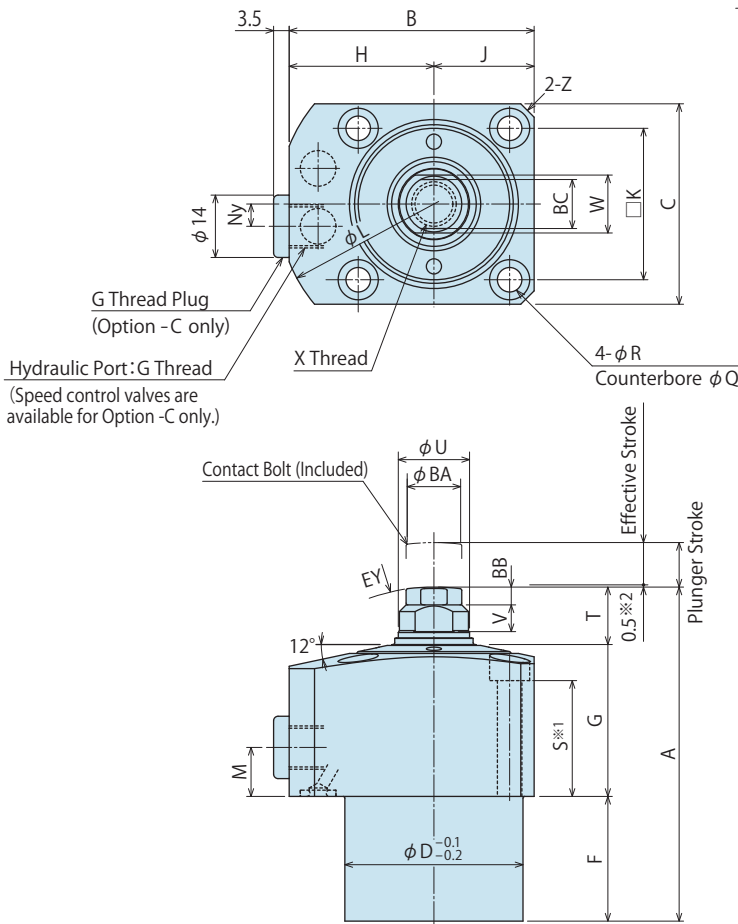
**Customized
Spring Cylinder**

DWA/DWB

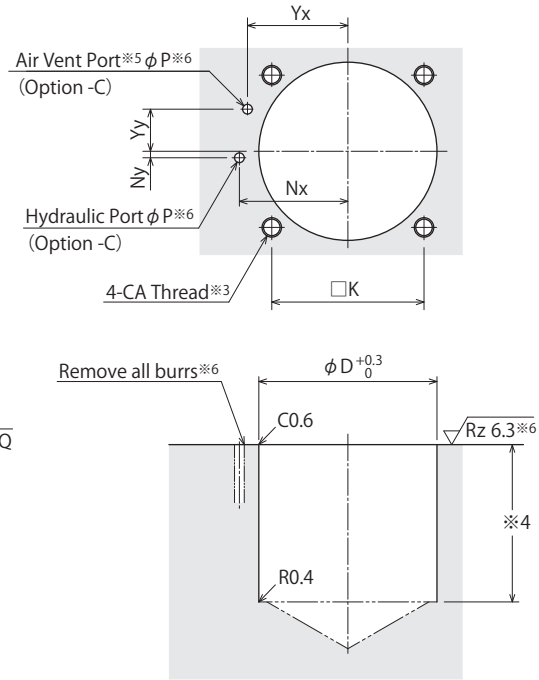
External Dimensions

C : Gasket Option (with G Thread Plug)

※ This drawing shows the released state of TC-C□ (before the plunger is lifted).

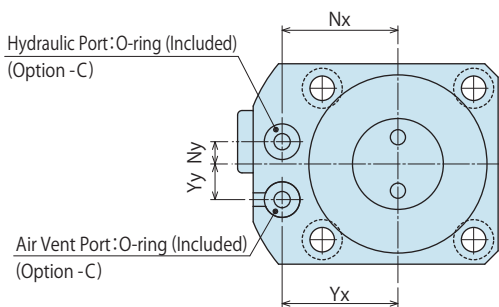


Machining Dimensions of Mounting Area



Notes :

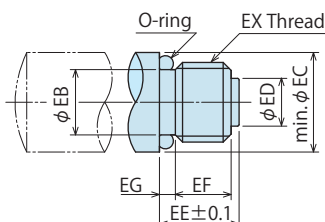
- ※ 3. CA tapping depth of the mounting bolt should be decided according to the mounting height referring to dimension 'S'.
- ※ 4. The depth of the body mounting hole φD should be decided according to the mounting height referring to dimension 'F'.
- ※ 5. Please keep clear condition at the air vent port, and prevent coolant and chips from entering the port. (Please refer to "Appropriate Measures for the Air Vent Port (P.819)".)
- ※ 6. The machining dimension is for -C : Gasket option.



Notes :

- ※ 1. Mounting bolts are not provided. Please prepare them according to the mounting height referring to dimension 'S'.
- ※ 2. When the work support touches a workpiece within short stroke range, up to 0.5mm from the plunger retract-end, the force which is larger than the plunger spring force will be applied to the workpiece. Please use the work support within the effective stroke range.

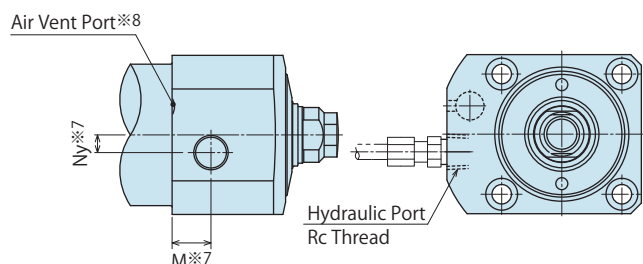
Contact Bolt Design Dimensions



Piping Method

S : Piping Option (Rc Thread)

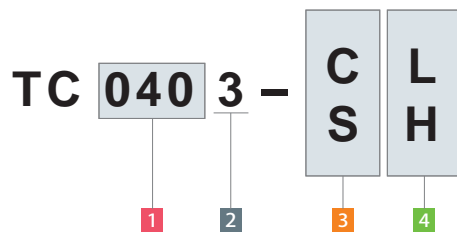
※ This drawing shows TC-S□.



Notes :

- ※ 7. The dimensions are the same as C : Gasket Option.
- ※ 8. The air vent port must be open to the atmosphere. Select -C : Gasket Option if coolant or any contaminants enter from the air vent port.

Model No. Indication



(Format Example : TC0403-CL / TC0753-SH)

- 1 Body Size
- 2 Design No.
- 3 Piping Method
- 4 Plunger Spring Force
- 5 Plunger Action Confirmation : Blank
- 6 Option : Blank

External Dimensions and Machining Dimensions for Mounting

(mm)

Model No.	TC0403-□□	TC0483-□□	TC0553-□□	TC0653-□□	TC0753-□□
Plunger Stroke	10	12	14	16	20
Effective Stroke	9.5	11.5	13.5	15.5	19.5
A	75	85	101	126	149
B	55	62	70.5	81	91.5
C	45	51	60	70	80
D	40	48	55	65	75
F	28	34	49	69	82
G	34.1	34.1	34.1	34.6	43.1
H	32.5	36.5	40.5	46	51.5
J	22.5	25.5	30	35	40
K	34	40	47	55	63
L	70	75	83	94	106
M	11	11	11	11	11
Nx	26	30	33.5	39.5	45
Ny	5	0	0	0	0
P	3	3	3	5	5
Q	9	9	11	11	14
R	5.5	5.5	6.8	6.8	9
S	26	25	23	23	29
T	12.9	16.9	17.9	22.4	23.9
U	16	20	22	25	30
V	6	8	9	9	10.5
W	13	17	19	22	24
X (Nominal×Pitch×Depth)	M10×1.5×11	M12×1.75×13	M12×1.75×13	M16×2×20	M16×2×20
Yx	26	28	31	37	42.5
Yy	8	11	13	14	15
Z (Chamfer)	C3	C3	C3.5	C5	R53
BA	12.5	16.5	16.5	21.5	21.5
BB	4	6	6	9	9
BC	11	14	14	19	19
CA (Nominal×Pitch)	M5×0.8	M5×0.8	M6×1	M6×1	M8×1.25
EY	SR50	SR80	SR80	SR125	SR125
Hydraulic Port	Option -C	G1/8	G1/8	G1/8	G1/8
	Option -S	Rc1/8	Rc1/8	Rc1/8	Rc1/8
O-ring (Option -C)	OR NBR-90 P5-N	OR NBR-90 P5-N	OR NBR-90 P5-N	OR NBR-90 P7-N	OR NBR-90 P7-N

Contact Bolt Design Dimensions

※Reference for designing a contact bolt (attachment) by customer other than the included contact bolt.

(mm)

Corresponding Model No.	TC0403-□□	TC0483-□□	TC0553-□□	TC0653-□□	TC0753-□□
EB	8.2	10	10	13.5	13.5
EC	12.5	16.5	16.5	21.5	21.5
ED	6	7.5	7.5	10.5	10.5
EE	10	12	12	16	16
EF	7	8	8	11	11
EG	2	3	3	4	4
EX (Nominal×Pitch)	M10×1.5	M12×1.75	M12×1.75	M16×2	M16×2
O-ring	S8 (Made by NOK)	S10 (Made by NOK)	S10 (Made by NOK)	A5568-014 (70)	A5568-014 (70)

- High-Power Series
- Pneumatic Series
- Hydraulic Series
- Valve / Coupler Hydraulic Unit
- Manual Operation Accessories
- Cautions / Others

Hole Clamp

- SFA
- SFC

Swing Clamp

- LHA
- LHC
- LHS
- LHW
- LG/LT
- TLA-2
- TLB-2
- TLA-1

Link Clamp

- LKA
- LKC
- LKW
- LJ/LM
- TMA-2
- TMA-1

Work Support

- LD
- LC
- TNC

TC

Air Sensing Lift Cylinder

- LLW

Linear Cylinder / Compact Cylinder

- LL
- LLR
- LLU
- DP
- DR
- DS
- DT

Block Cylinder

- DBA/DBC

Centering Vise

- FVA
- FVD
- FVC

Control Valve

- BZL
- BZT
- BZX/JZG
- BZS

Pallet Clamp

- VS/VT

Expansion Locating Pin

- VFL/VFM
- VFJ/VFK

Pull Stud Clamp

- FP
- FQ

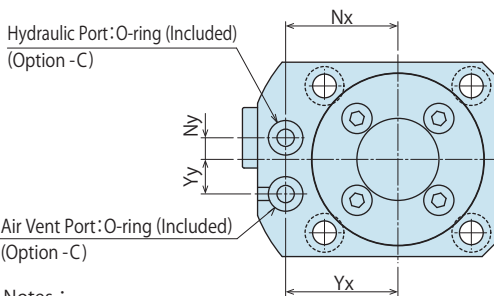
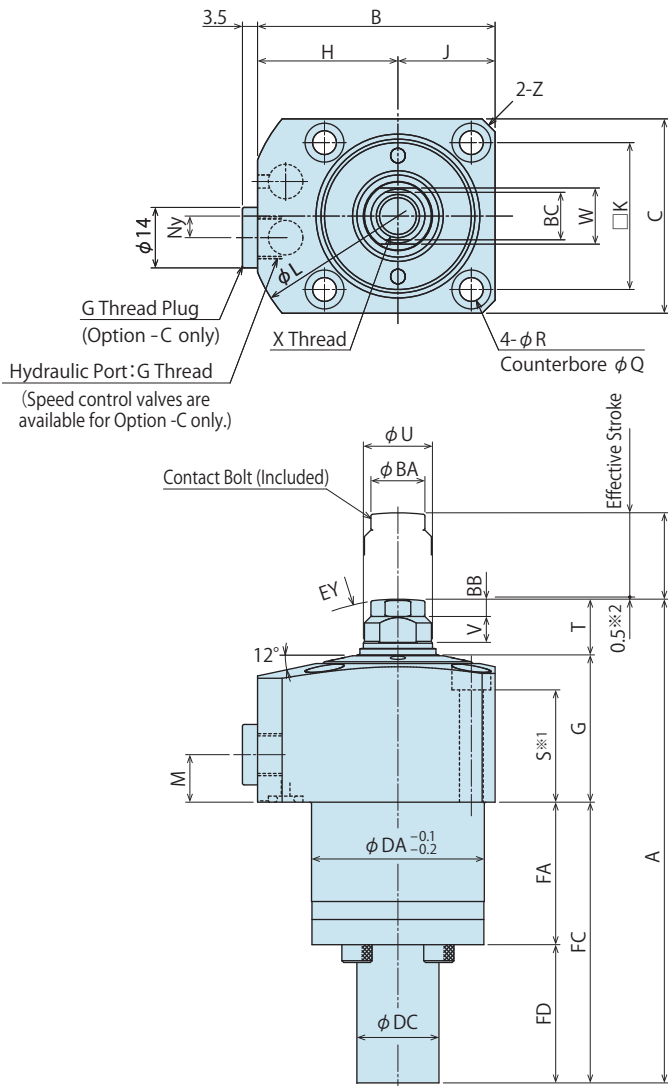
Customized Spring Cylinder

- DWA/DWB

External Dimensions

C : Gasket Option (with G Thread Plug)

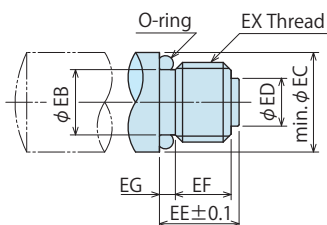
※ This drawing shows the released state of TC-C-Q (before the plunger is lifted).



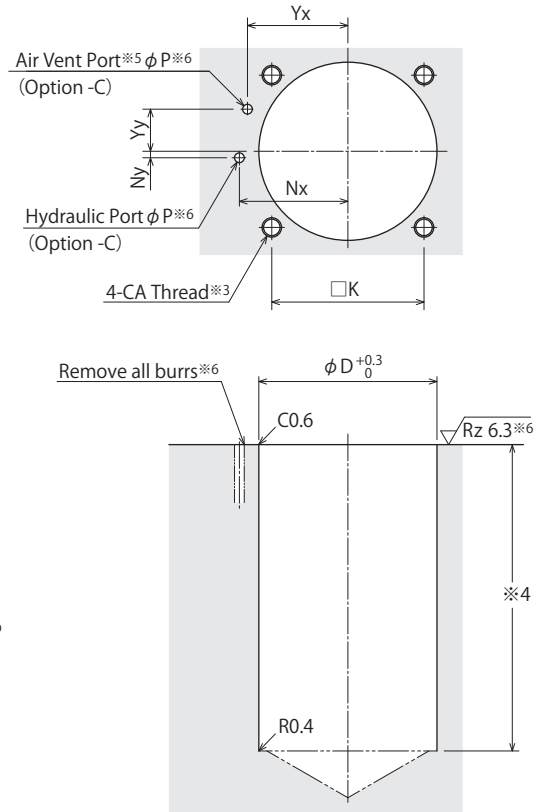
Notes :

- ※ 1. Mounting bolts are not provided. Please prepare them according to the mounting height referring to dimension 'S'.
- ※ 2. When the work support touches a workpiece within short stroke range, up to 0.5mm from the plunger retract-end, the force which is larger than the plunger spring force will be applied to the workpiece. Please use the work support within the effective stroke range.

Contact Bolt Design Dimensions



Machining Dimensions of Mounting Area



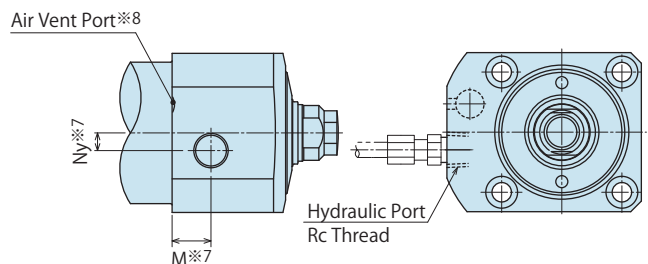
Notes :

- ※ 3. CA tapping depth of the mounting bolt should be decided according to the mounting height referring to dimension 'S'.
- ※ 4. The depth of the body mounting hole φD should be decided according to the mounting height referring to dimension 'FC'.
- ※ 5. Please keep clear condition at the air vent port, and prevent coolant and chips from entering the port. (Please refer to "Appropriate Measures for the Air Vent Port (P.819)".)
- ※ 6. The machining dimension is for -C : Gasket option.

Piping Method

S : Piping Option (Rc Thread)

※ This drawing shows TC-S-Q.



Notes :

- ※ 7. The dimensions are the same as C : Gasket Option.
- ※ 8. The air vent port must be open to the atmosphere. Select -C : Gasket Option if coolant or any contaminants enter from the air vent port.

Model No. Indication



(Format Example : TC0403-C-Q / TC0753-S-Q)

- 1 Body Size
- 2 Design No.
- 3 Piping Method
- 4 Plunger Spring Force : Blank
- 5 Plunger Action Confirmation : Blank
- 6 Option : Q

External Dimensions and Machining Dimensions for Mounting

(mm)

Model No.	TC0403-□-Q	TC0483-□-Q	TC0553-□-Q	TC0653-□-Q	TC0753-□-Q
Plunger Stroke	20	24	28	32	40
Effective Stroke	19.5	23.5	27.5	31.5	39.5
A	112	131.5	149.5	178	212.5
B	55	62	70.5	81	92
C	45	51	60	70	80
DA	40	48	55	65	75
DC	19	23	23	30	30
FA	33	42.5	59	84	101
FC	65	80.5	97.5	121	145.5
FD	32	38	38.5	37	44.5
G	34.1	34.1	34.1	34.6	43.1
H	32.5	36.5	40.5	46	52
J	22.5	25.5	30	35	40
K	34	40	47	55	63
L	68	73	80	94	106
M	11	11	11	11	11
Nx	26	30	33.5	39.5	45
Ny	5	0	0	0	0
P	3	3	3	5	5
Q	9	9	11	11	14
R	5.5	5.5	6.8	6.8	9
S	26	25	23	23	29
T	12.9	16.9	17.9	22.4	23.9
U	16	20	22	25	30
V	6	8	9	9	10.5
W	13	17	19	22	24
X (Nominal×Pitch×Depth)	M10×1.5×11	M12×1.75×13	M12×1.75×13	M16×2×20	M16×2×20
Yx	26	28	31	37	42.5
Yy	8	11	13	14	15
Z (Chamfer)	C3	C3	C3.5	C5	R53
BA	12.5	16.5	16.5	21.5	21.5
BB	4	6	6	9	9
BC	11	14	14	19	19
CA (Nominal×Pitch)	M5×0.8	M5×0.8	M6×1	M6×1	M8×1.25
EY	SR50	SR80	SR80	SR125	SR125
Hydraulic Port	Option -C	G1/8	G1/8	G1/8	G1/8
	Option -S	Rc1/8	Rc1/8	Rc1/8	Rc1/8
O-ring (Option -C)	OR NBR-90 P5-N	OR NBR-90 P5-N	OR NBR-90 P5-N	OR NBR-90 P7-N	OR NBR-90 P7-N

Contact Bolt Design Dimensions

※Reference for designing a contact bolt (attachment) by customer other than the included contact bolt.

(mm)

Corresponding Model No.	TC0403-□-Q	TC0483-□-Q	TC0553-□-Q	TC0653-□-Q	TC0753-□-Q
EB	8.2	10	10	13.5	13.5
EC	12.5	16.5	16.5	21.5	21.5
ED	6	7.5	7.5	10.5	10.5
EE	10	12	12	16	16
EF	7	8	8	11	11
EG	2	3	3	4	4
EX (Nominal×Pitch)	M10×1.5	M12×1.75	M12×1.75	M16×2	M16×2
O-ring	S8 (Made by NOK)	S10 (Made by NOK)	S10 (Made by NOK)	AS568-014 (70)	AS568-014 (70)

- High-Power Series
- Pneumatic Series
- Hydraulic Series
- Valve / Coupler Hydraulic Unit
- Manual Operation Accessories
- Cautions / Others

- Hole Clamp
 - SFA
 - SFC

- Swing Clamp
 - LHA
 - LHC
 - LHS
 - LHW
 - LG/LT
 - TLA-2
 - TLB-2
 - TLA-1

- Link Clamp
 - LKA
 - LKC
 - LKW
 - LJ/LM
 - TMA-2
 - TMA-1

- Work Support
 - LD
 - LC
 - TNC
 - TC

- Air Sensing Lift Cylinder
 - LLW

- Linear Cylinder / Compact Cylinder
 - LL
 - LLR
 - LLU
 - DP
 - DR
 - DS
 - DT

- Block Cylinder
 - DBA/DBC

- Centering Vise
 - FVA
 - FVD
 - FVC

- Control Valve
 - BZL
 - BZT
 - BZX/JZG
 - BZS

- Pallet Clamp
 - VS/VT

- Expansion Locating Pin
 - VFL/VFM
 - VFJ/VFK

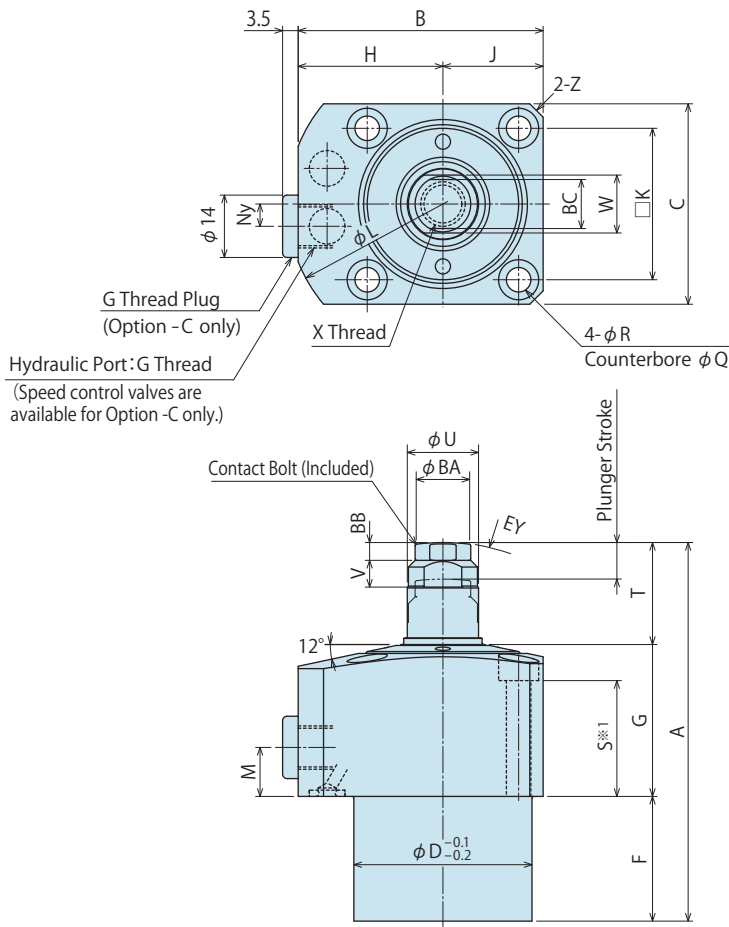
- Pull Stud Clamp
 - FP
 - FQ

- Customized Spring Cylinder
 - DWA/DWB

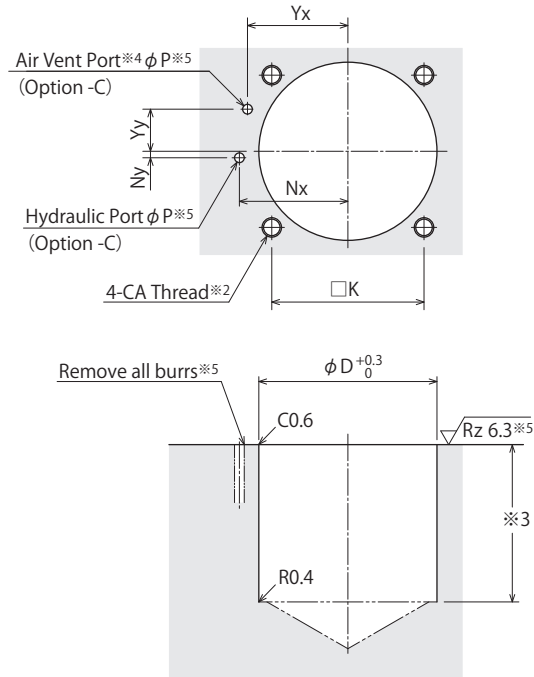
External Dimensions

C : Gasket Option (with G Thread Plug)

※ This drawing shows the released state of TC-C□-E (before the plunger is lifted).

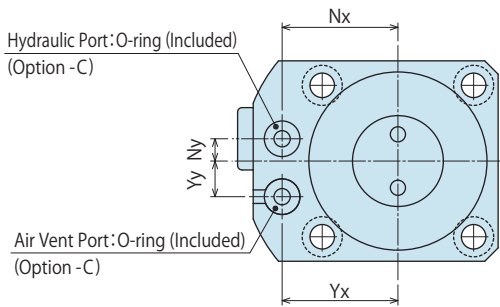


Machining Dimensions of Mounting Area



Notes :

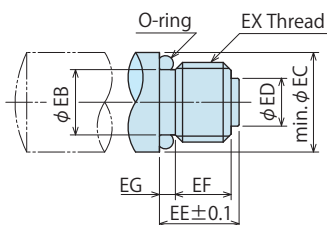
- ※ 2. CA tapping depth of the mounting bolt should be decided according to the mounting height referring to dimension 'S'.
- ※ 3. The depth of the body mounting hole φD should be decided according to the mounting height referring to dimension 'F'.
- ※ 4. Please keep clear condition at the air vent port, and prevent coolant and chips from entering the port. (Please refer to "Appropriate Measures for the Air Vent Port (P.819)".)
- ※ 5. The machining dimension is for -C : Gasket option.



Notes :

- ※ 1. Mounting bolts are not provided. Please prepare them according to the mounting height referring to dimension 'S'.

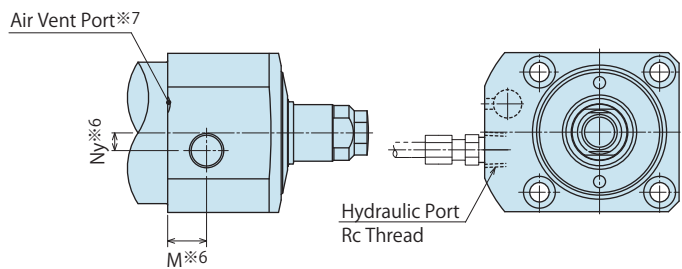
Contact Bolt Design Dimensions



Piping Method

S : Piping Option (Rc Thread)

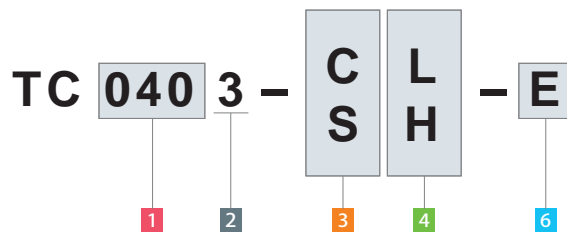
※This drawing shows TC-S□-E.



Notes :

- ※ 6. The dimensions are the same as C : Gasket Option.
- ※ 7. The air vent port must be open to the atmosphere. Select -C : Gasket Option if coolant or any contaminants enter from the air vent port.

Model No. Indication



(Format Example : TC0403-CL-E / TC0753-SH-E)

- 1 Body Size
- 2 Design No.
- 3 Piping Method
- 4 Plunger Spring Force
- 5 Plunger Action Confirmation : Blank
- 6 Option : E

External Dimensions and Machining Dimensions for Mounting

(mm)

Model No.	TC0403-□□-E	TC0483-□□-E	TC0553-□□-E	TC0653-□□-E	TC0753-□□-E
Plunger Stroke	10	12	14	16	20
A	85	97	115	142	169
B	55	62	70.5	81	91.5
C	45	51	60	70	80
D	40	48	55	65	75
F	28	34	49	69	82
G	34.1	34.1	34.1	34.6	43.1
H	32.5	36.5	40.5	46	51.5
J	22.5	25.5	30	35	40
K	34	40	47	55	63
L	70	75	83	94	106
M	11	11	11	11	11
Nx	26	30	33.5	39.5	45
Ny	5	0	0	0	0
P	3	3	3	5	5
Q	9	9	11	11	14
R	5.5	5.5	6.8	6.8	9
S	26	25	23	23	29
T	22.9	28.9	31.9	38.4	43.9
U	16	20	22	25	30
V	6	8	9	9	10.5
W	13	17	19	22	24
X (Nominal×Pitch×Depth)	M10×1.5×11	M12×1.75×13	M12×1.75×13	M16×2×20	M16×2×20
Yx	26	28	31	37	42.5
Yy	8	11	13	14	15
Z (Chamfer)	C3	C3	C3.5	C5	R53
BA	12.5	16.5	16.5	21.5	21.5
BB	4	6	6	9	9
BC	11	14	14	19	19
CA (Nominal×Pitch)	M5×0.8	M5×0.8	M6×1	M6×1	M8×1.25
EY	SR50	SR80	SR80	SR125	SR125
Hydraulic Port	Option -C	G1/8	G1/8	G1/8	G1/8
	Option -S	Rc1/8	Rc1/8	Rc1/8	Rc1/8
O-ring (Option -C)	OR NBR-90 P5-N	OR NBR-90 P5-N	OR NBR-90 P5-N	OR NBR-90 P7-N	OR NBR-90 P7-N

Contact Bolt Design Dimensions

※Reference for designing a contact bolt (attachment) by customer other than the included contact bolt.

(mm)

Corresponding Model No.	TC0403-□□-E	TC0483-□□-E	TC0553-□□-E	TC0653-□□-E	TC0753-□□-E
EB	8.2	10	10	13.5	13.5
EC	12.5	16.5	16.5	21.5	21.5
ED	6	7.5	7.5	10.5	10.5
EE	10	12	12	16	16
EF	7	8	8	11	11
EG	2	3	3	4	4
EX (Nominal×Pitch)	M10×1.5	M12×1.75	M12×1.75	M16×2	M16×2
O-ring	S8 (Made by NOK)	S10 (Made by NOK)	S10 (Made by NOK)	A5568-014 (70)	A5568-014 (70)

High-Power Series

Pneumatic Series

Hydraulic Series

Valve / Coupler Hydraulic Unit

Manual Operation Accessories

Cautions / Others

Hole Clamp

SFA
SFC

Swing Clamp

LHA
LHC
LHS
LHW
LG/LT
TLA-2
TLB-2
TLA-1

Link Clamp

LKA
LKC
LKW
LJ/LM
TMA-2
TMA-1

Work Support

LD
LC
TNC

TC

Air Sensing Lift Cylinder

LLW

Linear Cylinder / Compact Cylinder

LL
LLR
LLU
DP
DR
DS
DT

Block Cylinder

DBA/DBC

Centering Vise

FVA
FVD
FVC

Control Valve

BZL
BZT
BZX/JZG
BZS

Pallet Clamp

VS/VT

Expansion Locating Pin

VFL/VFM
VFJ/VFK

Pull Stud Clamp

FP
FQ

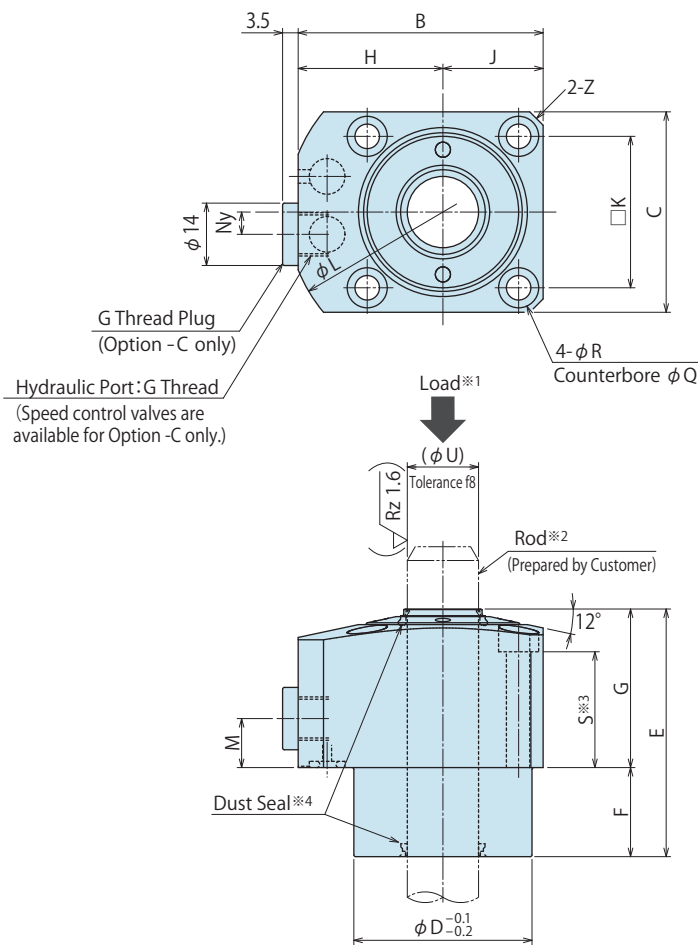
Customized Spring Cylinder

DWA/DWB

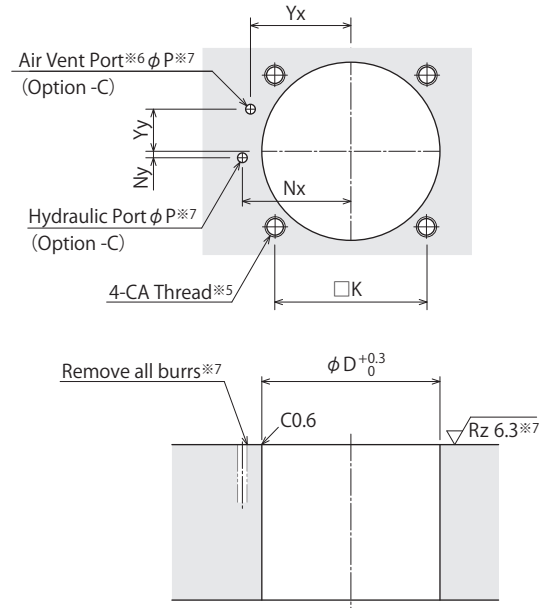
External Dimensions

C : Gasket Option (with G Thread Plug)

※ This drawing shows the released state of TC-C-D (before the plunger is lifted).

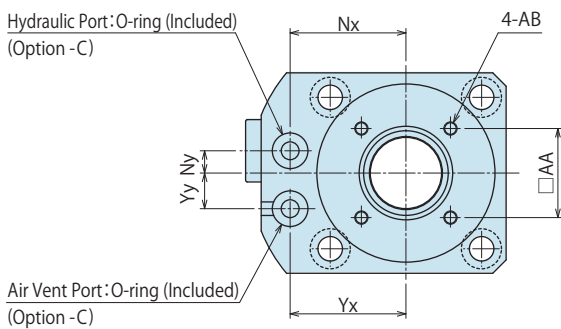


Machining Dimensions of Mounting Area



Notes :

- ※ 5. CA tapping depth of the mounting bolt should be decided according to the mounting height referring to dimension 'S'.
- ※ 6. Please keep clear condition at the air vent port, and prevent coolant and chips from entering the port. (Please refer to "Appropriate Measures for the Air Vent Port (P.819)".)
- ※ 7. The machining dimension is for -C : Gasket option.



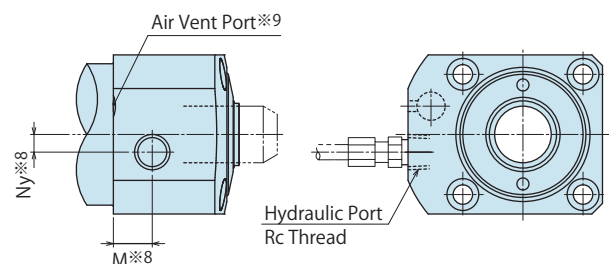
Notes :

- ※ 1. The load acts towards the arrow direction (↓) as shown in the drawing. If used in a reversed position, the internal parts are likely to be damaged.
- ※ 2. The surface hardness of the rod (prepared by the customer) should be above HRC60. (The hard Chromic plated metal is acceptable.)
- ※ 3. Mounting bolts are not provided. Please prepare them according to the mounting height referring to dimension 'S'.
- ※ 4. Deburr the rod end, and pay attention not to damage the dust seal when the rod is inserted into the body (upper and lower parts).

Piping Method

S : Piping Option (Rc Thread)

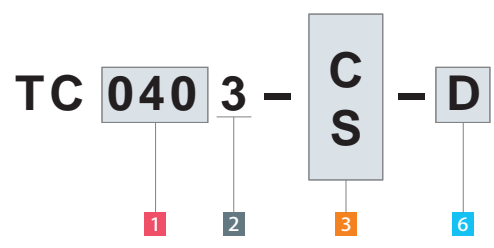
※ This drawing shows TC-S-D.



Notes :

- ※ 8. The dimensions are the same as C : Gasket Option.
- ※ 9. The air vent port must be open to the atmosphere. Select -C : Gasket Option if coolant or any contaminants enter from the air vent port.

Model No. Indication



(Format Example : TC0403-C-D / TC0753-S-D)

- 1 Body Size
- 2 Design No.
- 3 Piping Method
- 4 Plunger Spring Force : Blank
- 5 Plunger Action Confirmation : Blank
- 6 Option : D

External Dimensions and Machining Dimensions for Mounting

(mm)

Model No.	TC0403-□-D	TC0483-□-D	TC0553-□-D	TC0653-□-D	TC0753-□-D
B	55	62	70.5	81	91.5
C	45	51	60	70	80
D	40	48	55	65	75
E	55.6	62.6	79.6	100.1	127.6
F	20	27	44	63	82
G	35.6	35.6	35.6	37.1	45.6
H	32.5	36.5	40.5	46	51.5
J	22.5	25.5	30	35	40
K	34	40	47	55	63
L	70	75	83	94	106
M	11	11	11	11	11
Nx	26	30	33.5	39.5	45
Ny	5	0	0	0	0
P	3	3	3	5	5
Q	9	9	11	11	14
R	5.5	5.5	6.8	6.8	9
S	26	25	23	23	29
U	16 ^{-0.016} _{-0.043}	20 ^{-0.020} _{-0.053}	22 ^{-0.020} _{-0.053}	25 ^{-0.020} _{-0.053}	30 ^{-0.020} _{-0.053}
Yx	26	28	31	37	42.5
Yy	8	11	13	14	15
Z (Chamfer)	C3	C3	C3.5	C5	R53
AA	20	25.5	28	34	40
AB(Nominal×Pitch×Depth)	M3×0.5×5	M5×0.8×6.5	M5×0.8×6.5	M5×0.8×8	M5×0.8×8
CA (Nominal×Pitch)	M5×0.8	M5×0.8	M6×1	M6×1	M8×1.25
Hydraulic Port	Option -C	G1/8	G1/8	G1/8	G1/8
	Option -S	Rc1/8	Rc1/8	Rc1/8	Rc1/8
O-ring (Option -C)	OR NBR-90 P5-N	OR NBR-90 P5-N	OR NBR-90 P5-N	OR NBR-90 P7-N	OR NBR-90 P7-N

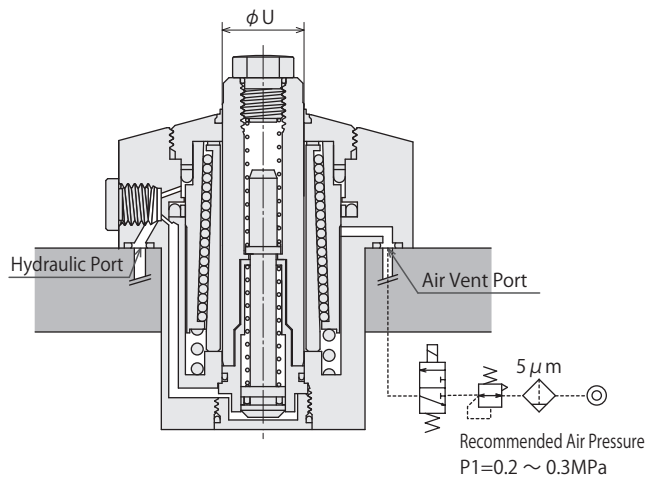
- High-Power Series
- Pneumatic Series
- Hydraulic Series
- Valve / Coupler Hydraulic Unit
- Manual Operation Accessories
- Cautions / Others
- Hole Clamp
 - SFA
 - SFC
- Swing Clamp
 - LHA
 - LHC
 - LHS
 - LHW
 - LG/LT
 - TLA-2
 - TLB-2
 - TLA-1
- Link Clamp
 - LKA
 - LKC
 - LKW
 - LJ/LM
 - TMA-2
 - TMA-1
- Work Support
 - LD
 - LC
 - TNC
 - TC
- Air Sensing Lift Cylinder
 - LLW
- Linear Cylinder / Compact Cylinder
 - LL
 - LLR
 - LLU
 - DP
 - DR
 - DS
 - DT
- Block Cylinder
 - DBA/DBC
- Centering Vise
 - FVA
 - FVD
 - FVC
- Control Valve
 - BZL
 - BZT
 - BZX/JZG
 - BZS
- Pallet Clamp
 - VS/VT
- Expansion Locating Pin
 - VFL/VFM
 - VFJ/VFK
- Pull Stud Clamp
 - FP
 - FQ
- Customized Spring Cylinder
 - DWA/DWB

Air Purge Function

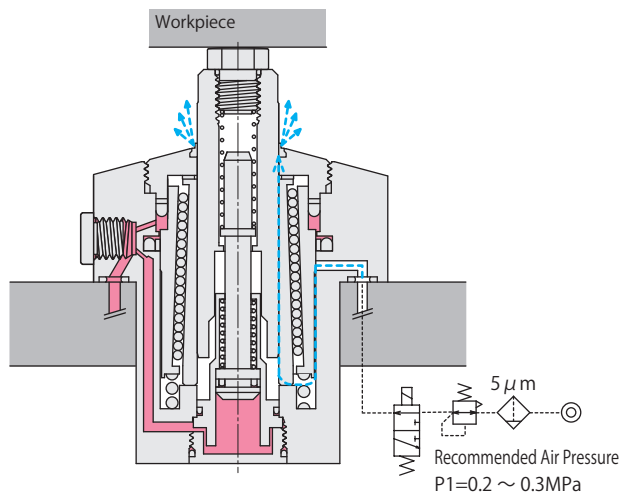
The special dust seal that features low friction and high sealing capabilities is used in TC. However, when using TC in worse condition, air purge function is available by providing the circuit to the air vent port like the drawing below.

Structure Drawing

TC Plunger Descending and at Releasing State (Air Supply OFF) ※1



TC Plunger Ascending and at Locking State (Air Supply ON) ※1



Workpiece Contact Force Formula when Using Air Purge Function ※2

$$\text{Workpiece Contact Force (N)} = \text{Plunger Spring Force (N)} + \text{Supply Air Pressure (MPa)} \times U^2 (\text{mm}) \times \pi / 4$$

Model No.	TC0403-□□ TC0403-□□-E TC0403-□-Q	TC0483-□□ TC0483-□□-E TC0483-□-Q	TC0553-□□ TC0553-□□-E TC0553-□-Q	TC0653-□□ TC0653-□□-E TC0653-□-Q	TC0753-□□ TC0753-□□-E TC0753-□-Q	
U	mm	16	20	22	25	30
Plunger ※3 Spring Force N	L : Low Spring Force	5.8~9.7	8.3~14.6	9.8~14.6	12.4~18.8	14.6~21.0
	H : High Spring Force	7.8~13.6	10.1~21.9	15.8~22.0	18.7~31.9	21.4~34.2
	Q : Long Stroke Model	7.8~20.4	10.1~24.8	15.8~28.4	18.7~42.3	21.4~44.0

Notes :

※2. Please prepare a stopper if necessary when using light and/or thin workpiece. Otherwise it might be pushed up by the work support.

※3. The plunger spring force indicates the spring design value. It may vary depending on sliding resistance of the plunger and characteristic of the spring, etc. Please read it as a reference value of workpiece contact force.

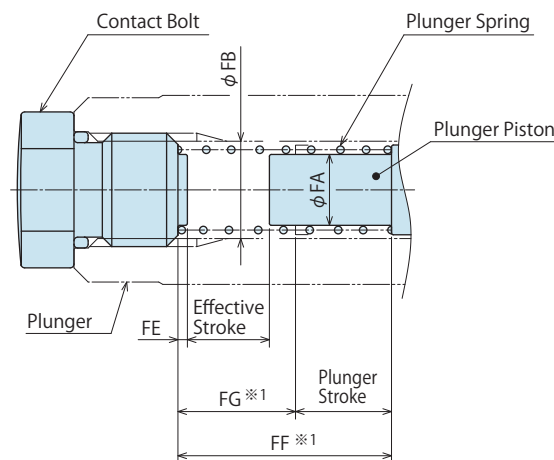
1. Except D: Rodless Hollow Option

Notes

- ※1. When the plunger is descending, shut off the air supply. The plunger does not go back when air is supplied.
 1. If the plunger ascends too fast, it may bounce back and locks itself resulting in a gap with the workpiece, and possible damage to the internal parts due to the impact. Set the plunger action time at 0.5-1.0 sec. to adjust the air supply with the flow control valve with check valve (meter-in), and make sure that there is no clearance with the workpiece for operation.
 2. Air cannot be vented as the air supply pressure is too low because the cracking pressure at the dust seal lip is about 0.1MPa.

Plunger Spring Design Dimension

- ※ Reference in case springs (except an attached plunger spring) are designed by a customer.
- ※ This drawing shows the released state.
- ※ There is no effective stroke range for the Option **E** and **EQ**.



Model No. **TC 040 3 - CS L H Blank - Blank EQ**
6 Option

Corresponding Model No.	(mm)				
	TC0403-□□ TC0403-□□-E	TC0483-□□ TC0483-□□-E	TC0553-□□ TC0553-□□-E	TC0653-□□ TC0653-□□-E	TC0753-□□ TC0753-□□-E
FA	6	7.5	7.5	10.5	10.5
FB	8.5	10.3	10.3	14	14
FE	1	1	1	1	1
FF ^{※1}	19.6	22.6	34.6	34.3	46.3
FG ^{※1}	9.6	10.6	20.6	18.3	26.3
Plunger Stroke	10	12	14	16	20
Effective Stroke	9.5	11.5	13.5	15.5	19.5

Corresponding Model No.	(mm)				
	TC0403-□-Q TC0403-□-EQ	TC0483-□-Q TC0483-□-EQ	TC0553-□-Q TC0553-□-EQ	TC0653-□-Q TC0653-□-EQ	TC0753-□-Q TC0753-□-EQ
FA	6	7.5	7.5	10.5	10.5
FB	8.5	10.3	10.3	14	14
FE	1	1	1	1	1
FF ^{※1}	36.2	40.5	49.5	53.5	66.9
FG ^{※1}	16.2	16.5	21.5	21.5	26.9
Plunger Stroke	20	24	28	32	40
Effective Stroke	19.5	23.5	27.5	31.5	39.5

Note :

- ※ 1. When designing a spring, make sure that the spring set length is below FF dimension and the spring contact length is below FG dimension.

High-Power
Series

Pneumatic Series

Hydraulic Series

Valve / Coupler
Hydraulic Unit

Manual Operation
Accessories

Cautions / Others

Hole Clamp

SFA
SFC

Swing Clamp

LHA
LHC
LHS
LHW
LG/LT
TLA-2
TLB-2
TLA-1

Link Clamp

LKA
LKC
LKW
LJ/LM
TMA-2
TMA-1

Work Support

LD
LC
TNC
TC

Air Sensing
Lift Cylinder

LLW

Linear Cylinder /
Compact Cylinder

LL
LLR
LLU
DP
DR
DS
DT

Block Cylinder

DBA/DBC

Centering Vise

FVA
FVD
FVC

Control Valve

BZL
BZT
BZX/JZG
BZS

Pallet Clamp

VS/VT

Expansion
Locating Pin

VFL/VFM
VFJ/VFK

Pull Stud Clamp

FP
FQ

Customized
Spring Cylinder

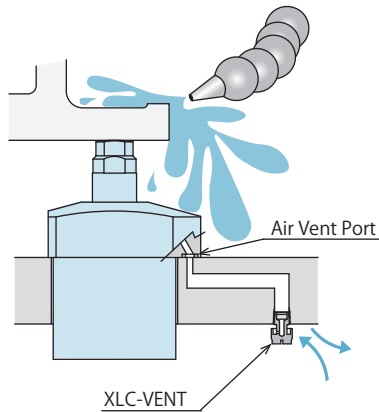
DWA/DWB

● Accessory (Corresponding Model No. LC / TC-C : Gasket Option)



● Appropriate Measures for Air Vent Ports

The work support, although only slightly, breathes like a single-acting cylinder. Consider the environment and avoid cutting fluid, coolant or any contaminants. If using it without an air vent port, it may not function properly.



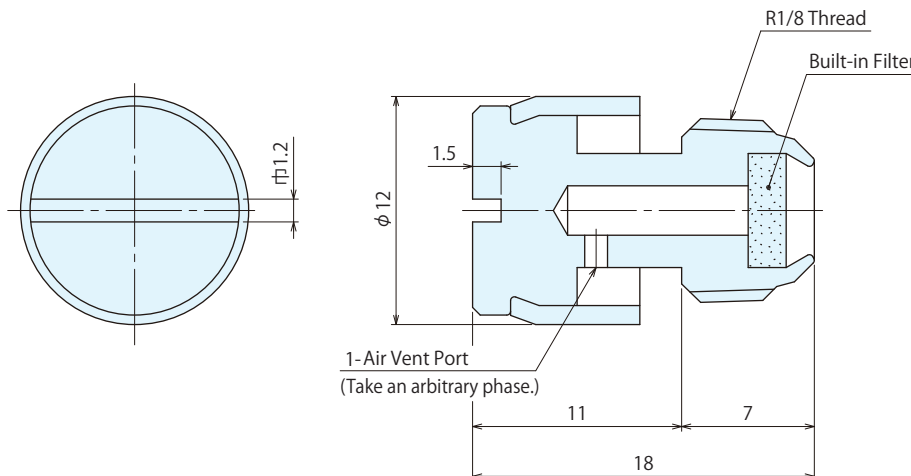
Model No . Indication

XLC-VENT

Specifications

Model No.	XLC-VENT	
Filtration Precision of Filter	μm	40
Tightening Torque	N·m	2

Internal Structure



※ For installation, use a screw driver and tighten it with the tightening torque shown above.


MEMO
High-Power
Series

Pneumatic Series

Hydraulic Series
Valve / Coupler
Hydraulic UnitManual Operation
Accessories

Cautions / Others

Hole Clamp

SFA
SFC

Swing Clamp

LHA
LHC
LHS
LHW
LG/LT
TLA-2
TLB-2
TLA-1

Link Clamp

LKA
LKC
LKW
LJ/LM
TMA-2
TMA-1
Work Support
LD
LC
TNC
TC
Air Sensing
Lift Cylinder

LLW

Linear Cylinder /
Compact CylinderLL
LLR
LLU
DP
DR
DS
DT

Block Cylinder

DBA/DBC

Centering Vise

FVA
FVD
FVC

Control Valve

BZL
BZT
BZX/JZG
BZS

Pallet Clamp

VS/VT

Expansion
Locating PinVFL/VFM
VFJ/VFK

Pull Stud Clamp

FP
FQCustomized
Spring Cylinder

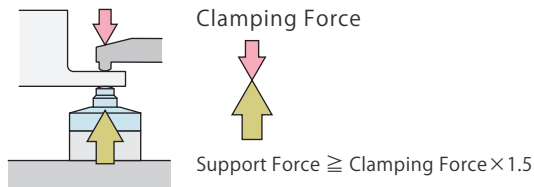
DWA/DWB

Cautions

● Notes for Design

1) Check Specifications

- Please use each product according to the specifications.
- When using a work support opposite to the clamp, set the support force at more than 1.5 times the clamping force.



2) Notes for Circuit Design

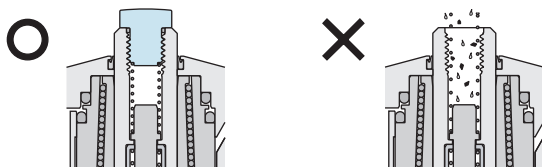
- Please read "Notes on Hydraulic Cylinder Speed Control Unit" for proper hydraulic circuit design. Improper circuit design may lead to malfunctions and damages. (Refer to P.1356)

3) Install a temporary stopper for a workpiece if necessary.

- When multiple work supports are used for a light workpiece, the plunger spring force may be higher than the workpiece weight, causing the workpiece to be pushed up.

4) An attachment is required for the plunger.

- Make sure that an attachment is installed to the plunger. Otherwise, the plunger does not advance since the plunger spring is free to move.
- Make sure to set the O-ring to the attachment. Otherwise, cutting fluid or other contaminants will get in easily, causing malfunction.



5) Protect the plunger surface when using on a welding fixture.

- If spatter attaches to the sliding surface it may lead to a sliding failure and an insufficient support function.

6) Do not expose the plunger directly to high-pressure coolant.

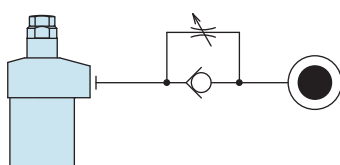
- It will cause intrusion of the coolant and damage to the internal components.

7) For Using on a Lathe, High-Speed Tilting Table, and etc.

- When using in a cycle where the centrifugal force is acting, the work support should be in a locked state. Please contact us for further information.

8) Adjust the plunger operation time with flow rate.

- A rough guideline for the full stroke is between 0.5 and 1 second.
- As with single-action cylinders, use a flow regulating valve with a check valve (meter-in) in consideration of the decreasing speed at release.
- If the action speed is too fast, the plunger may bounce back and locks itself resulting in a gap with the workpiece.
- Use a flow regulating valve with check valve that has 0.1 MPa or less of cracking pressure. If the cracking pressure is too high the plunger will not move at the time of release.

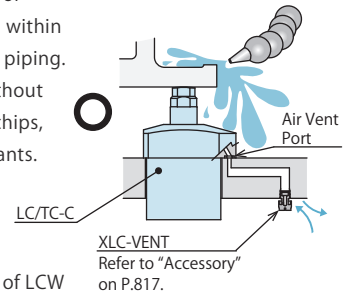


9) Appropriate Measures for the Air Vent Port

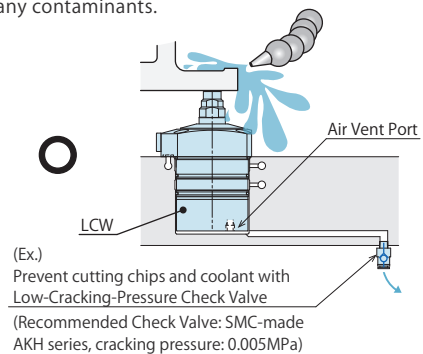
- The work support, although only slightly, breathes like a single-acting cylinder. Consider the environment and avoid cutting fluid, coolant or any contaminants.
- If using it without an air vent port, it will not function properly.

【Example】

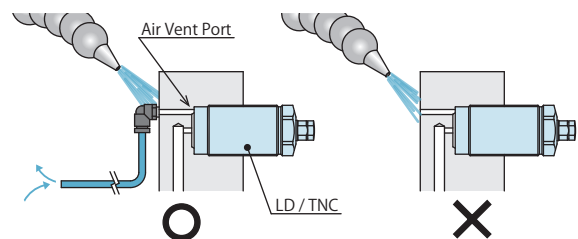
- ① Prepare the air vent port of LC / TC-C : Gasket Option within the fixture with manifold piping. Make sure it breathes without the influence of cutting chips, coolant or any contaminants.



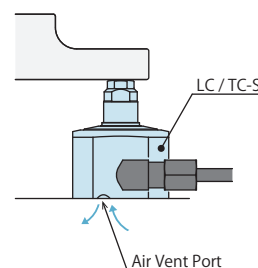
- ② Prepare the air vent port of LCW within the fixture with manifold piping. Make sure it breathes without the influence of cutting chips, coolant or any contaminants.



- ③ Prepare the air vent port of LD/TNC with the external piping. Make sure it breathes without the influence of cutting chips, coolant or any contaminants.

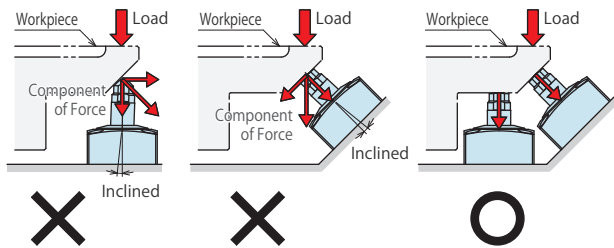
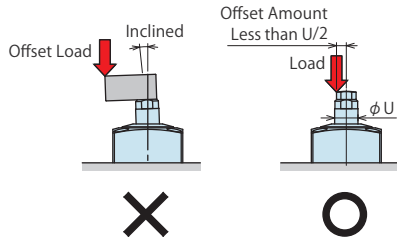


- ④ The air vent port of LC/TC-S : Piping Option must be open to the atmosphere. Select -C : Gasket Option if coolant or any contaminants enter from the air vent port.



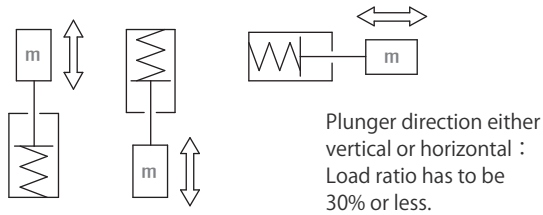
High-Power Series
Pneumatic Series
Hydraulic Series
Valve / Coupler Hydraulic Unit
Manual Operation Accessories
Cautions / Others

- 10) Make sure that offset load and component of force do not affect the product.
- If using the product as illustrated below, the displacement against load will be increased. Also large load will damage the internal parts.

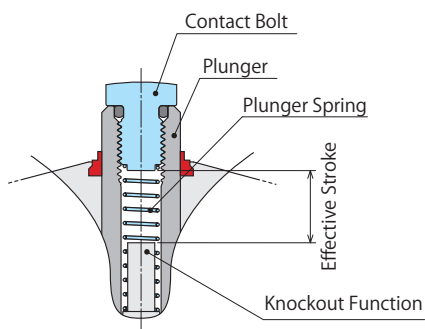


11) The Weight of an Attachment

- When designing an attachment, make sure the attachment weight is 30% or less of the plunger spring force.



- Ex.) In case of LC0403-L with the plunger spring force 4.7-7.8N. The maximum weight of the contact bolt = $4.7 \times 0.3 / 9.807 = 0.14\text{kg}$. Since it may vary depending on sliding resistance of the plunger and characteristic of the spring, it is recommended to design the contact bolt as light as possible.
- The dimensions of the mounting thread area need to be processed according to the design dimensions for contact bolts as shown on the respective product pages. The knockout function is used together to release fixation of plunger spring and adherence after machine stop for a long time. Using an attachment with different thread part dimension leads to inappropriate spring force and effective stroke, causing damage and malfunctions.



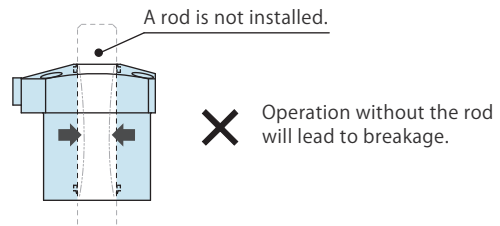
12) For Replacing Sensor Pads of LCW

- Please design a sensor pad according to Sensor Pad Design Dimensions on P.XX. (Contact us for replacing contact bolts.)

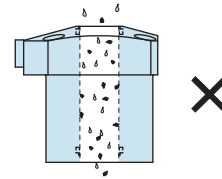
Sensor response may decrease if the sensor pad is longer than maximum length shown in the sensor pad design dimensions.

13) Notes on D : Rodless Hollow Model

- Do not supply hydraulic pressure without a rod installed. The collet will be deformed leading to release failure.



- Make sure the rod is always inserted during the operation. At the rodless state, contaminants and cutting chips enter into the product leading to malfunctions.



Hole Clamp
SFA
SFC
Swing Clamp
LHA
LHC
LHS
LHW
LG/LT
TLA-2
TLB-2
TLA-1
Link Clamp
LKA
LKC
LKW
LJ/LM
TMA-2
TMA-1

Work Support
LD
LC
TNC
TC

Air Sensing Lift Cylinder
LLW
Linear Cylinder / Compact Cylinder
LL
LLR
LLU
DP
DR
DS
DT

Block Cylinder
DBA/DBC

Centering Vise
FVA
FVD
FVC

Control Valve
BZL
BZT
BZX/JZG
BZS

Pallet Clamp
VS/VT

Expansion Locating Pin
VFL/VFM
VFJ/VFK

Pull Stud Clamp
FP
FQ

Customized Spring Cylinder
DWA/DWB

※ Please refer to P.1355 for common cautions.

- Installation Notes
- Hydraulic Fluid List
- Notes on Hydraulic Cylinder Speed Control Circuit
- Notes on Handling
- Maintenance/Inspection
- Warranty

⊙ Cautions

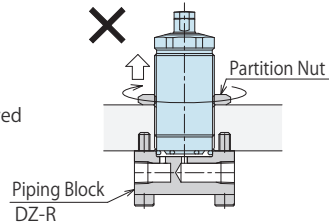
● Notes for Design

12) Notes on Mounting Method of LD/TNC (Threaded Model)

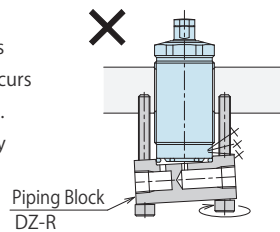
- When mounting LD/TNC, make sure the base is horizontal to the bearing surface, and the load is received at the base. With the following installations, the load cannot be received at the base, leading to increase of displacement amount and damage on the product.

【Examples of Improper Use】

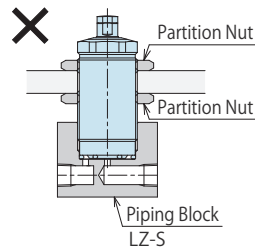
- ① Work support is lifted up by tightening the partition nut, and the load cannot be received on the bearing surface.



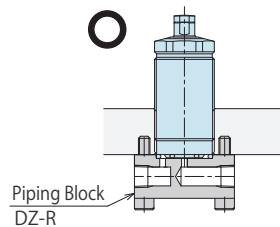
- ② Bearing surface contact part is not horizontal, a clearance occurs and it cannot receive the load. Moreover, there is a possibility of damaging equipment by tightening bolts.



- ③ Since the piping block to receive the load is floated, it cannot receive the load.



【Example of Proper Use】



● Installation Notes

- 1) Check the Usable Fluid
 - Please use the appropriate fluid by referring to the Hydraulic Fluid List (P.1355).
- 2) Installation of the Product
 - When mounting LC/LCW/TC (Flanged Model), use hexagonal socket bolts as multiple bolt holes for mounting (with tensile strength of 12.9) and tighten them with the torque shown in the table below.

	Model No.	Thread Size	Tightening Torque (N·m)
LC	LC0263	M3×0.5	1.3
	LC0303	M4×0.7	3.2
	LC0363	M4×0.7	3.2
	LC0403	M5×0.8	6.3
	LC0483	M5×0.8	6.3
	LC0553	M6×1	10
	LC0653	M6×1	10
	LC0753	M8×1.25	25
	LC0903	M10×1.5	50
LCW	LCW0363-C□	M4×0.7	3.2
	LCW0403-C□	M5×0.8	6.3
	LCW0483-C□	M5×0.8	6.3
	LCW0553-C□	M6×1	10
	LCW0653-C□	M6×1	10
TC	TC0403	M5×0.8	6.3
	TC0483	M5×0.8	6.3
	TC0553	M6×1	10
	TC0653	M6×1	10
TC0753	M8×1.25	25	

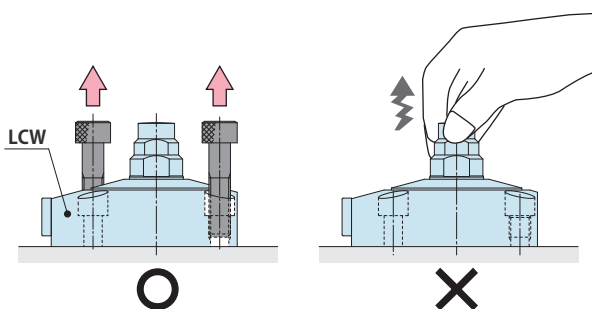
- For LD/TNC (Threaded Model), be careful not to damage the O-ring for sealing the base. Tighten them with the torque shown in the table below.

	Model No.	Thread Size	Tightening Torque (N·m)
LD	LD0163	M16×1.0	8
	LD0223	M22×1.5	16
	LD0263	M26×1.5	31.5
	LD0303	M30×1.5	50
	LD0363	M36×1.5	63
	LD0453	M45×1.5	80
TNC	TNC0403	M26×1.5	31.5
	TNC0603	M30×1.5	50
	TNC1003	M36×1.5	63
	TNC1603	M45×1.5	80

- Apply an adequate amount of grease to the O-ring.
- If it is mounted under dry state, the O-ring may have twisting or be defective.
- If it is tightened with higher torque, it may lead to malfunction.

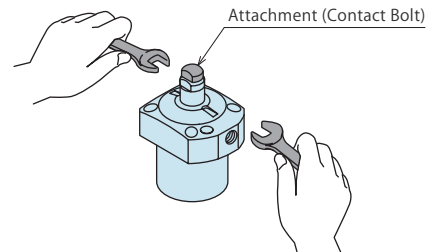
3) Removal of LCW

- When removing the product for maintenance or other reasons, insert bolts to the two mounting bolt holes and pull them out straight. If the plunger part is pulled out, the internal parts will be damaged.



3) Replacement of Attachment

- Be careful not to lose the plunger spring.
- In a state that supplying pressure to the work support is released, stop the plunger with a spanner at its front end and tighten it with the tightening torque as shown in the following table.



	Model No.	Head Thread Size	Tightening Torque (N·m)
LC	LC0263	M4×0.7	1.6
	LC0303	M6×1	5
	LC0363	M8×1.25	10
	LC0403	M10×1.5	16
	LC0483	M10×1.5	16
	LC0553	M12×1.75	40
	LC0653	M12×1.75	40
	LC0753	M16×2	80
	LC0903	M16×2	80
LCW	LCW0363-C□	M8×1.25	10
	LCW0403-C□	M10×1.5	16
	LCW0483-C□	M10×1.5	16
	LCW0553-C□	M12×1.75	40
TC	TC0403	M10×1.5	16
	TC0483	M12×1.75	40
	TC0553	M12×1.75	40
	TC0653	M16×2	80
LD	LD0163	M3×0.5	0.6
	LD0223	M4×0.7	1.6
	LD0263	M6×1	5
	LD0303	M8×1.25	10
TNC	TNC0403	M8×1.25	10
	TNC0603	M10×1.5	16
	TNC1003	M10×1.5	16
	TNC1603	M12×1.75	40

※ Please refer to P.1355 for common cautions.

• Installation Notes • Hydraulic Fluid List • Notes on Hydraulic Cylinder Speed Control Circuit
• Notes on Handling • Maintenance/Inspection • Warranty

High-Power Series

Pneumatic Series

Hydraulic Series

Valve / Coupler Hydraulic Unit

Manual Operation Accessories

Cautions / Others

Hole Clamp

SFA

SFC

Swing Clamp

LHA

LHC

LHS

LHW

LG/LT

TLA-2

TLB-2

TLA-1

Link Clamp

LKA

LKC

LKW

LJ/LM

TMA-2

TMA-1

Work Support

LD

LC

TNC

TC

Air Sensing Lift Cylinder

LLW

Linear Cylinder / Compact Cylinder

LL

LLR

LLU

DP

DR

DS

DT

Block Cylinder

DBA/DBC

Centering Vise

FVA

FVD

FVC

Control Valve

BZL

BZT

BZX/JZG

BZS

Pallet Clamp

VS/VT

Expansion Locating Pin

VFL/VFM

VFJ/VFK

Pull Stud Clamp

FP

FQ

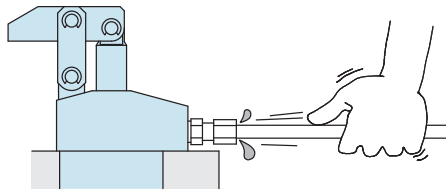
Customized Spring Cylinder

DWA/DWB

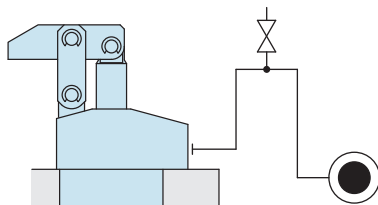
● Cautions

● Installation Notes (For Hydraulic Series)

- 1) Check the Usable Fluid
 - Please use the appropriate fluid by referring to the Hydraulic Fluid List.
- 2) Procedure before Piping
 - The pipeline, piping connector and fixture circuits should be cleaned by thorough flushing.
 - The dust and cutting chips in the circuit may lead to fluid leakage and malfunction.
 - There is no filter provided with Kosmek's product except for a part of valves which prevents foreign materials and contaminants from getting into the circuit.
- 3) Applying Sealing Tape
 - Wrap with tape 1 to 2 times following the screw direction.
 - Pieces of the sealing tape can lead to oil leakage and malfunction.
 - Please implement piping construction in a clear environment to prevent anything getting in products.
- 4) Air Bleeding of the Hydraulic Circuit
 - If the hydraulic circuit has excessive air, the action time may become very long. If air enters the circuit after connecting the hydraulic port or under the condition of no air in the oil tank, please perform the following steps.
 - ① Reduce hydraulic pressure to less than 2MPa.
 - ② Loosen the cap nut of pipe fitting closest to the clamp by one full turn.
 - ③ Shake the pipeline to loosen the outlet of pipe fitting.
Hydraulic fluid mixed with air comes out.



- ④ Tighten the cap nut after bleeding.
- ⑤ It is more effective to release air at the highest point inside the circuit or at the end of the circuit.
(Set an air bleeding valve at the highest point inside the circuit.)



5) Checking Looseness and Retightening

- At the beginning of the machine installation, the bolt and nut may be tightened lightly. Check the looseness and re-tighten as required.

● Hydraulic Fluid List

Maker	ISO Viscosity Grade ISO-VG-32	
	Anti-Wear Hydraulic Oil	Multi-Purpose Hydraulic Oil
Showa Shell Sekiyu	Tellus S2 M 32	Morlina S2 B 32
Idemitsu Kosan	Daphne Hydraulic Fluid 32	Daphne Super Multi Oil 32
JX Nippon Oil & Energy	Super Hyrando 32	Super Mulpus DX 32
Cosmo Oil	Cosmo Hydro AW32	Cosmo New Mighty Super 32
ExxonMobil	Mobil DTE 24	Mobil DTE 24 Light
Matsumura Oil	Hydol AW-32	
Castrol	Hyspin AWS 32	

Note : Please contact manufacturers when customers require products in the list above.

- High-Power Series
- Pneumatic Series
- Hydraulic Series
- Valve / Coupler Hydraulic Unit
- Manual Operation Accessories
- Cautions / Others

Cautions

- Installation Notes (For Hydraulic Series)
- Hydraulic Fluid List
- Notes on Hydraulic Cylinder Speed Control Circuit
- Notes on Handling
- Maintenance/Inspection
- Warranty

Company Profile

- Company Profile
- Our Products
- History

Index

- Search by
- Alphabetical Order

Sales Offices

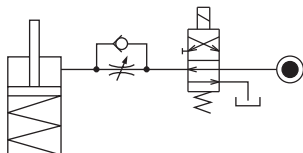
● Notes on Hydraulic Cylinder Speed Control Unit



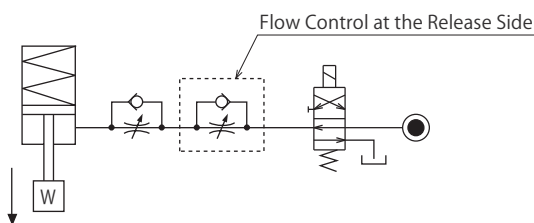
Please pay attention to the cautions below. Design the hydraulic circuit for controlling the action speed of hydraulic cylinder. Improper circuit design may lead to malfunctions and damages. Please review the circuit design in advance.

● Flow Control Circuit for Single Acting Cylinder

For spring return single acting cylinders, restricting flow during release can extremely slow down or disrupt release action. The preferred method is to control the flow during the lock action using a valve that has free-flow in the release direction. It is also preferred to provide a flow control valve at each actuator.



Accelerated clamping speed by excessive hydraulic flow to the cylinder may sustain damage. In this case add flow control to regulate flow. (Please add flow control to release flow if the lever weight is put on at the time of release action when using swing clamps.)



● Flow Control Circuit for Double Acting Cylinder

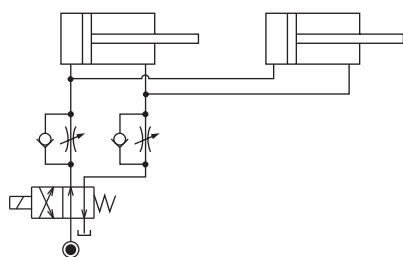
Flow control circuit for double acting cylinder should have meter-out circuits for both the lock and release sides. Meter-in control can have adverse effect by presence of air in the system.

However, in the case of controlling LKE, TMA, TLA, both lock side and release side should be meter-in circuit.

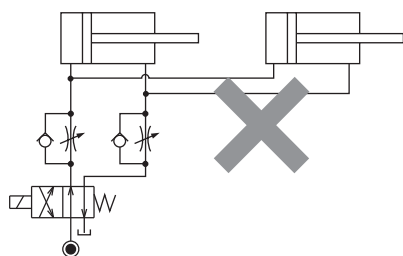
Refer to P.75 for speed adjustment of LKE.

For TMA and TLA, if meter-out circuit is used, abnormal high pressure is created, which causes oil leakage and damage.

【Meter-out Circuit】 (Except LKE/TMA/TLA)

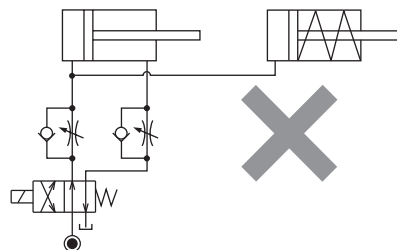


【Meter-in Circuit】 (LKE/TMA/TLA must be controlled with meter-in.)



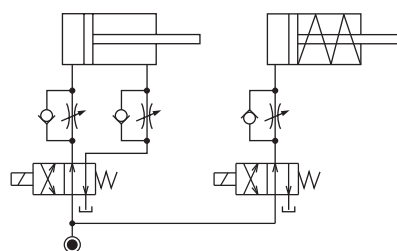
In the case of meter-out circuit, the hydraulic circuit should be designed with the following points.

- ① Single acting components should not be used in the same flow control circuit as the double acting components. The release action of the single acting cylinders may become erratic or very slow.

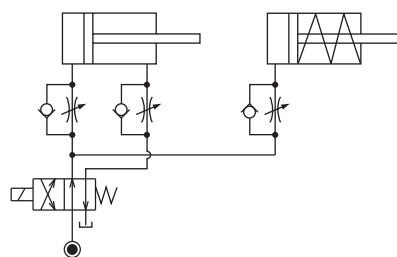


Refer to the following circuit when both the single acting cylinder and double acting cylinder are used together.

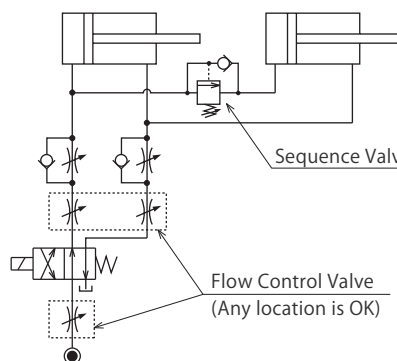
- Separate the control circuit.



- Reduce the influence of double acting cylinder control unit. However, due to the back pressure in tank line, single action cylinder is activated after double action cylinder works.



- ② In the case of meter-out circuit, the inner circuit pressure may increase during the cylinder action because of the fluid supply. The increase of the inner circuit pressure can be prevented by reducing the supplied fluid beforehand via the flow control valve. Especially when using sequence valve or pressure switches for clamping detection. If the back pressure is more than the set pressure then the system will not work as it is designed to.



ⓘ Cautions

● Notes on Handling

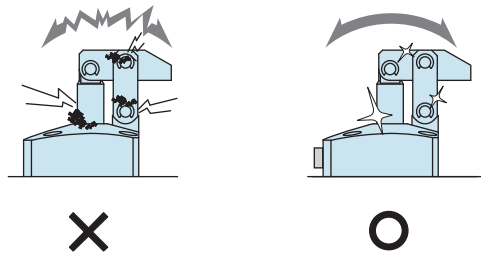
- 1) It should be operated by qualified personnel.
 - The hydraulic machine and air compressor should be operated and maintained by qualified personnel.
- 2) Do not operate or remove the product unless the safety protocols are ensured.
 - ① The machine and equipment can only be inspected or prepared when it is confirmed that the safety devices are in place.
 - ② Before the product is removed, make sure that the above-mentioned safety devices are in place. Shut off the pressure and power source, and make sure no pressure exists in the air and hydraulic circuits.
 - ③ After stopping the product, do not remove until the temperature drops.
 - ④ Make sure there is no abnormality in the bolts and respective parts before restarting the machine or equipment.
- 3) Do not touch a clamp (cylinder) while it is working. Otherwise, your hands may be injured due to clinching.



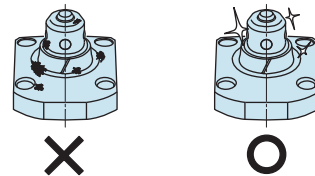
- 4) Do not disassemble or modify.
 - If the equipment is taken apart or modified, the warranty will be voided even within the warranty period.

● Maintenance and Inspection

- 1) Removal of the Machine and Shut-off of Pressure Source
 - Before the machine is removed, make sure that safety devices and preventive devices are in place. Shut off the pressure and power source, and make sure no pressure exists in the air and hydraulic circuits.
 - Make sure there is no abnormality in the bolts and respective parts before restarting.
- 2) Regularly clean the area around the piston rod and plunger.
 - If it is used when the surface is contaminated with dirt, it may lead to packing seal damage, malfunctioning and fluid leakage.



- 3) Please clean out the reference surfaces on a regular basis (taper reference surface and seating surface) of the locating products. (VS/VT/VFL/VFM/VFJ/VFK/WVS/VWM/VWK/VX/VXE/VXF)
 - The locating products, except VX/VXE/VXF model, can remove contaminants with cleaning functions. However, hardened cutting chips, adhesive coolant and others may not be removed. Make sure there are no contaminants before installing a workpiece/pallet.
 - Continuous use with contaminant on components will lead to locating accuracy failure, malfunction and fluid leakage.



- 4) If disconnecting by couplers, air bleeding should be carried out on a regular basis to avoid air mixed in the circuit.
- 5) Regularly tighten nut, bolt, pin, cylinder, pipe line and others to ensure proper use.
- 6) Make sure the hydraulic fluid has not deteriorated.
- 7) Make sure there is a smooth action without an irregular noise.
 - Especially when it is restarted after left unused for a long period, make sure it can be operated correctly.
- 8) The products should be stored in the cool and dark place without direct sunshine or moisture.
- 9) Please contact us for overhaul and repair.

● Warranty

1) Warranty Period

- The product warranty period is 18 months from shipment from our factory or 12 months from initial use, whichever is earlier.

2) Warranty Scope

- If the product is damaged or malfunctions during the warranty period due to faulty design, materials or workmanship, we will replace or repair the defective part at our expense.

Defects or failures caused by the following are not covered.

- ① If the stipulated maintenance and inspection are not carried out.
- ② If the product is used while it is not suitable for use based on the operator's judgment, resulting in defect.
- ③ If it is used or operated in an inappropriate way by the operator. (Including damage caused by the misconduct of the third party.)
- ④ If the defect is caused by reasons other than our responsibility.
- ⑤ If repair or modifications are carried out by anyone other than Kosmek, or without our approval and confirmation, it will void warranty.
- ⑥ Other caused by natural disasters or calamities not attributable to our company.
- ⑦ Parts or replacement expenses due to parts consumption and deterioration. (Such as rubber, plastic, seal material and some electric components.)

Damages excluding from direct result of a product defect shall be excluded from the warranty.

High-Power
Series

Pneumatic Series

Hydraulic Series

Valve / Coupler
Hydraulic Unit

Manual Operation
Accessories

Cautions / Others

Cautions

Installation Notes
(For Hydraulic Series)

Hydraulic Fluid List

Notes on Hydraulic Cylinder
Speed Control Circuit

Notes on Handling

Maintenance/
Inspection

Warranty

Company Profile

Company Profile

Our Products

History

Index

Search by
Alphabetical Order

Sales Offices

Control Valve

Model BZL

Model BZT

Model BZX

Model JZG

Model BZS

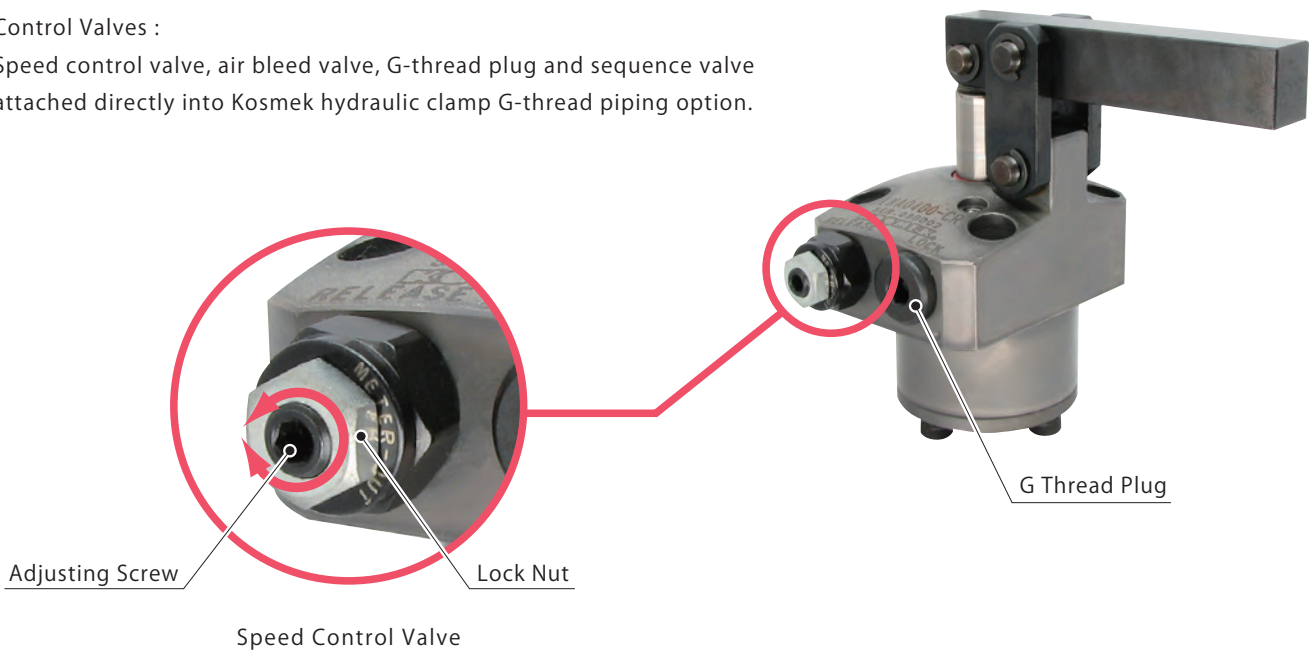


Directly-Attached Speed Control Valve, Air Bleed Valve, G-Thread Plug and Sequence Valve

- Directly Attached to Clamps

Control Valves :

Speed control valve, air bleed valve, G-thread plug and sequence valve attached directly into Kosmek hydraulic clamp G-thread piping option.



Model BZL
Model BZT




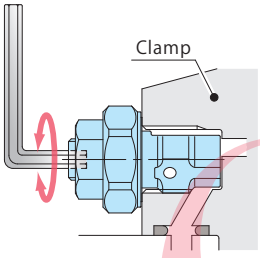
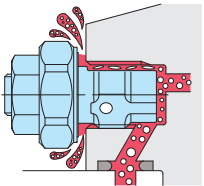

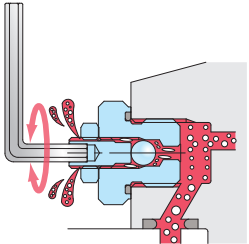

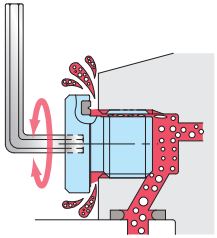

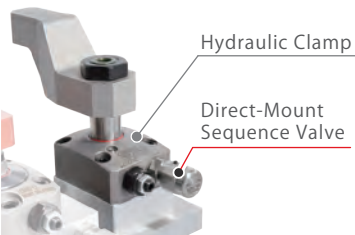
Model BZX



Model JZG



Model BZS

	Operating Pressure Range	Action Description
<p>Speed Control Valve (For Low Pressure)</p> <p>Model BZL → P.949</p> 	7MPa or less	<p>Adjust the flow rate with a wrench. Able to adjust the clamping speed individually.</p> 
<p>Speed Control Valve (For High Pressure)</p> <p>Model BZT → P.953</p>	35MPa or less	<p>Air bleeding in the circuit is possible by loosening the speed control valve.</p> 
<p>Air Bleed Valve</p> <p>Model BZX → P.955</p> 	35MPa or less	<p>Air bleeding in the circuit is possible by wrench.</p> 
<p>G Thread Plug</p> <p>Model JZG → P.957</p> 	35MPa or less	<p>Air bleeding in the circuit is possible by loosening the G thread plug.</p> 
<p>Direct-Mount Sequence Valve</p> <p>Model BZS → P.959</p> 	7MPa or less	<p>Sequence Valve directly attaches to KOSMEK hydraulic clamp's G-thread piping option. Controls the operating sequence of each actuator.</p> 

- High-Power Series
- Pneumatic Series
- Hydraulic Series**
- Valve / Coupler Hydraulic Unit
- Manual Operation Accessories
- Cautions / Others

- Hole Clamp
 - SFA
 - SFC

- Swing Clamp
 - LHA
 - LHC
 - LHS
 - LHW
 - LG/LT
 - TLA-2
 - TLB-2
 - TLA-1

- Link Clamp
 - LKA
 - LKC
 - LKW
 - LJ/LM
 - TMA-2
 - TMA-1

- Work Support
 - LD
 - LC
 - TNC
 - TC

- Air Sensing Lift Cylinder
 - LLW

- Linear Cylinder / Compact Cylinder
 - LL
 - LLR
 - LLU
 - DP
 - DR
 - DS
 - DT

- Block Cylinder
 - DBA/DBC

- Centering Vise
 - FVA
 - FVD
 - FVC

- Control Valve**
 - BZL**
 - BZT**
 - BZX/JZG**
 - BZS**

- Pallet Clamp
 - VS/VT

- Expansion Locating Pin
 - VFL/VFM
 - VFJ/VFK

- Pull Stud Clamp
 - FP
 - FQ

- Customized Spring Cylinder
 - DWA/DWB

Model No. Indication (Speed Control Valve for High Pressure)

BZT 0 **10** **1** - **A**

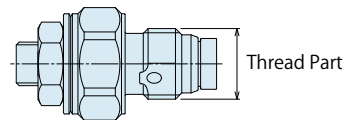
1
2
3



1 G Thread Size

10 : Thread Part G1/8A Thread

20 : Thread Part G1/4A Thread



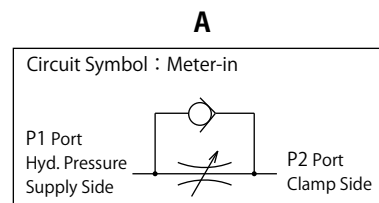
2 Design No.

1 : Revision Number

3 Control Method

A : Meter-in

※ Meter-out option is not available for BZT.



Specifications

Model No.		BZT0101-A	BZT0201-A
Max. Operating Pressure	MPa	35	
Min. Operating Pressure	MPa	10	
Control Method		Meter-in	
G Thread Size		G1/8A	G1/4A
Cracking Pressure	MPa	0.04	
Max. Passage Area	mm ²	2.6	5.0
Usable Fluid		General Hydraulic Oil Equivalent to ISO-VG-32	
Operating Temperature	°C	0 ~ 70	
Tightening Torque for Main Body	N·m	10	25
Weight	g	12	26

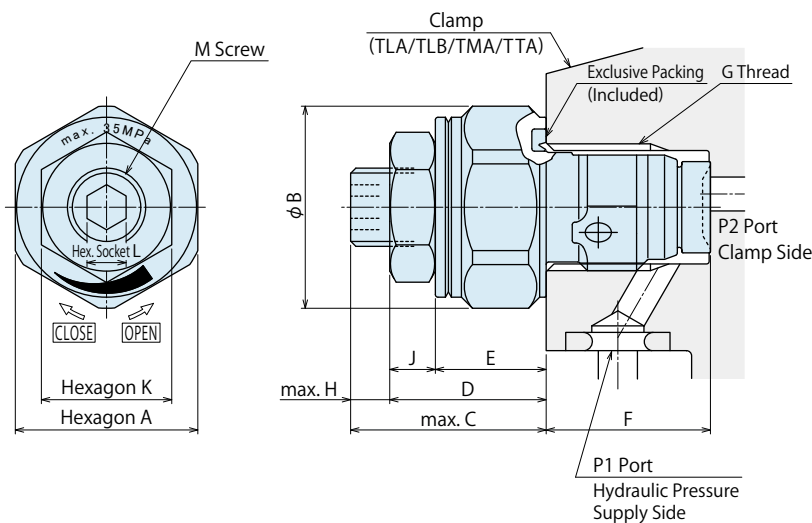
- Notes :
1. It must be mounted with recommended torque. Because of the structure of the metal seal, if mounting torque is insufficient, the flow control valve may not be able to adjust the flow rate.
 2. Do not attach a used BZT to other clamps.
Flow control will not be made because the bottom depth difference of G thread makes metal seal insufficient.

Applicable Products

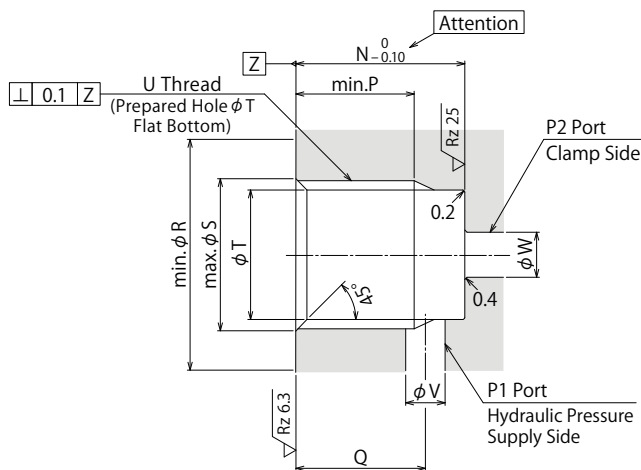
Model	TLA-2 (Double Action) Swing Clamp	TLB-2 (Double Action) Swing Clamp	TLA-1 (Single Action) Swing Clamp	TMA-2 (Double Action) Link Clamp	TMA-1 (Single Action) Link Clamp	TTA (Double Action) Linear Cylinder	TC (Single Action) Work Support
BZT0101-A	TLA0801-2C□□	TLB0801-2C□□	TLA0802-1C□	TMA0250-2C□	TMA0250-1C□	TTA0360-C□□	TC0553-C□
	TLA1001-2C□□	TLB1001-2C□□	TLA1002-1C□	TMA0400-2C□	TMA0400-1C□	TTA0400-C□□	TC0653-C□
	TLA1601-2C□□	TLB1601-2C□□	TLA1602-1C□	TMA0600-2C□	TMA0600-1C□	TTA0480-C□□	TC0753-C□
				TMA1000-2C□	TMA1000-1C□	TTA0550-C□□	
BZT0201-A	TLA2001-2C□□	TLB2001-2C□□	TLA2002-1C□	TMA1600-2C□	TMA1600-1C□	TTA0650-C□□	
	TLA2501-2C□□	TLB2501-2C□□	TLA2502-1C□	TMA2500-2C□	TMA2500-1C□		
	TLA4001-2C□□	TLB4001-2C□□	TLA4002-1C□	TMA3200-2C□	TMA3200-1C□		

- Notes :
1. It is not recommended to use BZT for TC040□ / TC048□ / TL□040□ / TL□060□ since they have small cylinder capacity and it is difficult to adjust the speed.
 2. In case of controlling TMA, TLA, TTA, both lock side and release side should be meter-in circuit.
If meter-out circuit is used, abnormal high pressure is created, which causes oil leakage and damage.

External Dimensions



Machining Dimensions of Mounting Area



Model No.	(mm)	
	BZT0101-A	BZT0201-A
A	14	18
B	15.5	20
C	15	16
D	12	13
E	8.5	9.5
F	(12.6)	(16.1)
G	G1/8	G1/4
H	3	3
J	3.5	3.5
K	10	10
L	3	3
M (Nominal×Pitch)	M6×0.75	M6×0.75
N	12.5	16
P	8.5	11
Q	9.5	12
R	16	20.5
S	10	13.5
T	8.7	11.5
U	G1/8	G1/4
V	2.5 ~ 3.5	3.5 ~ 4.5
W	2.5 ~ 5	3.5 ~ 7

Notes :

1. Since the $\sqrt{Rz 6.3}$ area is sealing part, be careful not to damage it.
2. Since the $\sqrt{Rz 12.5}$ area is the metal sealing part of BZL, be careful not to damage it. (Especially when deburring)
3. No cutting chips or burr should be at the tolerance part of machining hole.
4. As shown in the drawing, P1 port is used as the hydraulic supply side and P2 port as the clamp side.

Notes

1. Please read "Notes on Hydraulic Cylinder Speed Control Unit" for proper hydraulic circuit design.
Improper circuit design may lead to malfunctions and damages. (Refer to P.1356)
2. It is dangerous to release the air under high pressure. It must be done under lower pressure.
(For reference : the minimum operating range of the product within the circuit.)
3. When the cylinder capacity is small, the speed of flow may not be controlled properly. (Recommended Cylinder Capacity : 3cm³ or more)

High-Power
Series

Pneumatic Series

Hydraulic Series

Valve / Coupler
Hydraulic UnitManual Operation
Accessories

Cautions / Others

Hole Clamp

SFA
SFC

Swing Clamp

LHA
LHC
LHS
LHW
LG/LT
TLA-2
TLB-2
TLA-1

Link Clamp

LKA
LKC
LKW
LJ/LM
TMA-2
TMA-1

Work Support

LD
LC
TNC
TCAir Sensing
Lift Cylinder

LLW

Linear Cylinder /
Compact CylinderLL
LLR
LLU
DP
DR
DS
DT

Block Cylinder

DBA/DBC

Centering Vise

FVA
FVD
FVC

Control Valve

BZL
BZT
BZX/JZG
BZS

Pallet Clamp

VS/VT

Expansion
Locating PinVFL/VFM
VFJ/VFK

Pull Stud Clamp

FP
FQCustomized
Spring Cylinder

DWA/DWB

Model No. Indication (Air Bleed Valve)

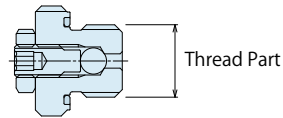
BZX0 **1** **0**

1 **2**



1 G Thread Size

- 1** : Thread Part G1/8A Thread
- 2** : Thread Part G1/4A Thread
- 3** : Thread Part G3/8A Thread



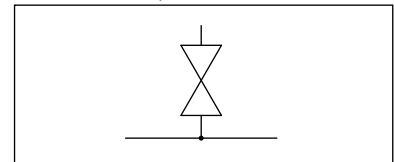
2 Design No.

- 0** : Revision Number

Specifications

Model No.	BZX010	BZX020	BZX030
Max. Operating Pressure MPa	35		
Withstanding Pressure MPa	42		
G Thread Size	G1/8A	G1/4A	G3/8A
Usable Fluid	General Hydraulic Oil Equivalent to ISO-VG-32		
Operating Temperature °C	0 ~ 70		
Tightening Torque for Main Body N·m	10	25	35
Weight g	12	23	36

Circuit Symbol



- Notes :
- Do not over-loosen the plug during air venting.
(Do not loosen further than 2 turns from the fully closed position.)
 - Air bleeding under high pressure is dangerous. It must be done under lower pressure.
(For reference : the minimum operation pressure range of the product within the circuit)
 - Refer to the machining dimensions of BZL mounting area when installing BZX into a hydraulic circuit.

Applicable Products

Model No.	DBA (Double Action) Block Cylinder	DBC (Double Action) Block Cylinder	FVA (Double Action) Centering Vise	FVC (Double Action) Centering Vise	FVD (Double Action) Centering Vise	LC (Single Action) Work Support	LCW (Single Action) Work Support	TC (Single Action) Work Support
BZX010	DBA0250-C□	DBC0250-C□	FVA0401	FVC0630	FVD1600	LC0263-C□□□	LCW0363-C□	TC0403-C□□□
	DBA0320-C□	DBC0320-C□	FVA0631		FVD2500	LC0303-C□□□	LCW0403-C□	TC0483-C□□□
			FVA1001			LC0363-C□□□	LCW0483-C□	TC0553-C□□□
						LC0403-C□□□	LCW0553-C□	TC0653-C□□□
						LC0483-C□□□	LCW0653-C□	TC0753-C□□□
						LC0553-C□□□		
BZX020	DBA0400-C□	DBC0400-C□		FVC1000	FVD4000	LC0753-C□□□		
	DBA0500-C□	DBC0500-C□		FVC1600		LC0903-C□□□		

Applicable Products

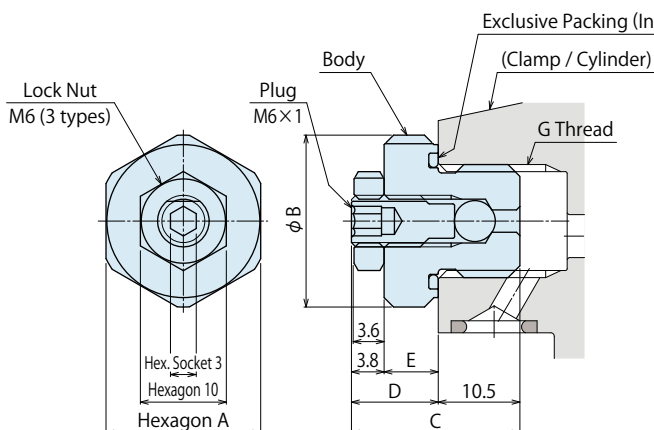
Model No.	LHA (Double Action) Swing Clamp	LHC (Double Action) Swing Clamp	LHD (Double Action) Swing Clamp	LHE (Double Action) High-Power Swing Clamp	LHS (Double Action) Swing Clamp	LHV (Double Action) Swing Clamp	LHW (Double Action) Swing Clamp	LT (Single Action) Swing Clamp	LG (Single Action) Swing Clamp
BZX010	LHA0360-C□□□	LHC0360-C□□□	LHD0400-C□□□	LHE0300-C□	LHS0360-C□□□	LHV0400-C□□□	LHW0401-C□□□	LT0301-C□□□	LG0301-C□□□
	LHA0400-C□□□	LHC0400-C□□□	LHD0480-C□□□	LHE0360-C□	LHS0400-C□□□	LHV0480-C□□□	LHW0481-C□□□	LT0361-C□□□	LG0361-C□□□
	LHA0480-C□□□	LHC0480-C□□□	LHD0550-C□□□	LHE0400-C□	LHS0480-C□□□	LHV0550-C□□□	LHW0551-C□□□	LT0401-C□□□	LG0401-C□□□
	LHA0550-C□□□	LHC0550-C□□□		LHE0480-C□	LHS0550-C□□□			LT0481-C□□□	LG0481-C□□□
BZX020	LHA0650-C□□□	LHC0650-C□□□			LHS0650-C□□□	LHV0650-C□□□	LHW0651-C□□□	LT0651-C□□□	LG0651-C□□□
	LHA0750-C□□□				LHS0750-C□□□	LHV0750-C□□□	LHW0751-C□□□	LT0751-C□□□	LG0751-C□□□
BZX030	LHA0900-C□□□				LHS0900-C□□□				LG0901-C□□□
	LHA1050-C□□□				LHS1050-C□□□				LG1051-C□□□

Model No.	LGV (Single Action) Swing Clamp
BZX010	LGV0400-C□□
	LGV0480-C□□
	LGV0550-C□□
BZX020	LGV0650-C□□
	LGV0750-C□□
BZX030	

Model No.	LKA (Double Action) Link Clamp	LKC (Double Action) Link Clamp	LKE (Double Action) High-Power Link Clamp	LKK (Double Action) Universal Clamp	LKV (Double Action) Link Clamp	LKW (Double Action) Link Clamp	LM (Single Action) Link Clamp	LJ (Single Action) Link Clamp	LJV (Single Action) Link Clamp
BZX010	LKA0360-C□□□	LKC0400-C□□□	LKE0300-C□	LKK0360-C□	LKV0400-C□□□	LKW0401-C□□□	LM0300-C□	LJ0302-C□	LJV0400-C□□□
	LKA0400-C□□□	LKC0480-C□□□	LKE0360-C□	LKK0400-C□	LKV0480-C□□□	LKW0481-C□□□	LM0360-C□	LJ0362-C□	LJV0480-C□□□
	LKA0480-C□□□	LKC0550-C□□□	LKE0400-C□	LKK0480-C□	LKV0550-C□□□	LKW0551-C□□□	LM0400-C□	LJ0402-C□	LJV0550-C□□□
	LKA0550-C□□□		LKE0480-C□	LKK0550-C□			LM0480-C□	LJ0482-C□	
BZX020	LKA0650-C□□□	LKC0650-C□□□		LKK0650-C□	LKV0650-C□□□	LKW0651-C□□□	LM0650-C□	LJ0652-C□	LJV0650-C□□□
	LKA0750-C□□□				LKV0750-C□□□	LKW0751-C□□□	LM0750-C□	LJ0752-C□	LJV0750-C□□□
BZX030	LKA0900-C□□□						LJ0902-C□		
	LKA1050-C□□□						LJ1052-C□		

Model No.	LFW (Double Action) Link Clamp	LFA (Double Action) Link Clamp	LSA (Double Action) Side Clamp	LSE (Double Action) High-Power Side Clamp	LL (Double Action) Linear Cylinder	LLR (Double Action) Linear Cylinder	LLV (Double Action) Lift Cylinder	LLW (Double Action) Lift Cylinder	TTA (Double Action) Linear Cylinder
BZX010	LFW0480-C□□	LFA0480-C□□	LSA0360-C□	LSE0360-C□	LL0360-C□□□	LLR0360-C□□□	LLV0360-C□□□	LLW0361-C□□□	TTA0360-C□□□
	LFW0550-C□□	LFA0550-C□□			LL0400-C□□□	LLR0400-C□□□	LLV0400-C□□□	LLW0401-C□□□	TTA0400-C□□□
					LL0480-C□□□	LLR0480-C□□□	LLV0480-C□□□	LLW0481-C□□□	TTA0480-C□□□
BZX020	LFW0650-C□□	LFA0650-C□□			LL0550-C□□□	LLR0550-C□□□			TTA0550-C□□□
	LFW0750-C□□	LFA0750-C□□			LL0650-C□□□	LLR0650-C□□□			TTA0650-C□□□
BZX030					LL0750-C□□□	LLR0750-C□□□			
					LL0900-C□□□	LLR0900-C□□□			
					LL1050-C□□□	LLR1050-C□□□			

External Dimensions



Model No.	BZX010	BZX020	BZX030
A	14	18	22
B	15.5	20	24
C	19.8	20.6	20.6
D	9.3	10.1	10.1
E	5.5	6.3	6.3
G	G1/8	G1/4	G3/8

High-Power
Series

Pneumatic Series

Hydraulic Series

Valve / Coupler
Hydraulic UnitManual Operation
Accessories

Cautions / Others

Hole Clamp

SFA
SFC

Swing Clamp

LHA
LHC
LHS
LHW
LG/LT
TLA-2
TLB-2
TLA-1

Link Clamp

LKA
LKC
LKW
LJ/LM
TMA-2
TMA-1

Work Support

LD
LC
TNC
TCAir Sensing
Lift Cylinder

LLW

Linear Cylinder /
Compact CylinderLL
LLR
LLU
DP
DR
DS
DT

Block Cylinder

DBA/DBC

Centering Vise

FVA
FVD
FVC

Control Valve

BZL
BZT
BZX/JZG
BZS

Pallet Clamp

VS/VT

Expansion
Locating PinVFL/VFM
VFJ/VFK

Pull Stud Clamp

FP
FQCustomized
Spring Cylinder

DWA/DWB

Model No. Indication (G Thread Plug with Air Bleeding Function) PAT.

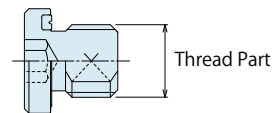
JZG0 1 0

1 2



1 G Thread Size

- 1 : Thread Part G1/8A Thread
- 2 : Thread Part G1/4A Thread
- 3 : Thread Part G3/8A Thread



2 Design No.

- 0 : Revision Number

Specifications

Model No.	JZG010	JZG020	JZG030	
Max. Operating Pressure	MPa 35			
Withstanding Pressure	MPa 42			
G Thread Size	G1/8A	G1/4A	G3/8A	
Usable Fluid	General Hydraulic Oil Equivalent to ISO-VG-32			
Operating Temperature	°C 0 ~ 70			
Tightening Torque for Main Body N·m	Female Thread Side Material : Steel	10	25	35
	Female Thread Side Material : Aluminum (For LT/LM※1)	8	20	28
Weight	g 7	15	23	

- Notes : 1. Air bleeding under high pressure is dangerous. It must be done under lower pressure.
(For reference : the minimum operation pressure range of the product within the circuit)
2. Refer to the machining dimensions of BZL mounting area when installing JZG into a hydraulic circuit.
- ※1. Body material of LT/LM is aluminum alloy, so install it with the tightening torque for aluminum.

Applicable Products

Model No.	LHA (Double Action) Swing Clamp	LHC (Double Action) Swing Clamp	LHD (Double Action) Swing Clamp	LHE (Double Action) High-Power Swing Clamp	LHS (Double Action) Swing Clamp	LHV (Double Action) Swing Clamp	LHW (Double Action) Swing Clamp	LT (Single Action) Swing Clamp	LG (Single Action) Swing Clamp
JZG010	LHA0360-C□□□	LHC0360-C□□□	LHD0400-C□□□	LHE0300-C□□□	LHS0360-C□□□	LHV0400-C□□□	LHW0401-C□□□	LT0301-C□□□	LG0301-C□□□
	LHA0400-C□□□	LHC0400-C□□□	LHD0480-C□□□	LHE0360-C□□□	LHS0400-C□□□	LHV0480-C□□□	LHW0481-C□□□	LT0361-C□□□	LG0361-C□□□
	LHA0480-C□□□	LHC0480-C□□□	LHD0550-C□□□	LHE0400-C□□□	LHS0480-C□□□	LHV0550-C□□□	LHW0551-C□□□	LT0401-C□□□	LG0401-C□□□
	LHA0550-C□□□	LHC0550-C□□□		LHE0480-C□□□	LHS0550-C□□□			LT0481-C□□□	LG0481-C□□□
JZG020	LHA0650-C□□□	LHC0650-C□□□			LHS0650-C□□□	LHV0650-C□□□	LHW0651-C□□□	LT0651-C□□□	LG0651-C□□□
	LHA0750-C□□□				LHS0750-C□□□	LHV0750-C□□□	LHW0751-C□□□	LT0751-C□□□	LG0751-C□□□
JZG030	LHA0900-C□□□				LHS0900-C□□□				LG0901-C□□□
	LHA1050-C□□□				LHS1050-C□□□				LG1051-C□□□

Model No.	LGV (Single Action) Swing Clamp	DBA (Double Action) Block Cylinder	DBC (Double Action) Block Cylinder	FVA (Double Action) Centering Vise	FVC (Double Action) Centering Vise	FVD (Double Action) Centering Vise	LC (Single Action) Work Support	LCW (Single Action) Work Support	TC (Single Action) Work Support
JZG010	LGV0400-C□□□	DBA0250-C□□□	DBC0250-C□□□	FVA0401	FVC0630	FVD1600	LC0263-C□□□	LCW0363-C□□□	TC0403-C□□□
	LGV0480-C□□□	DBA0320-C□□□	DBC0320-C□□□	FVA0631		FVD2500	LC0303-C□□□	LCW0403-C□□□	TC0483-C□□□
	LGV0550-C□□□			FVA1001			LC0363-C□□□	LCW0483-C□□□	TC0553-C□□□
							LC0403-C□□□	LCW0553-C□□□	TC0653-C□□□
							LC0483-C□□□	LCW0653-C□□□	TC0753-C□□□
JZG020	LGV0650-C□□□	DBA0400-C□□□	DBC0400-C□□□		FVC1000	FVD4000	LC0753-C□□□		
	LGV0750-C□□□	DBA0500-C□□□	DBC0500-C□□□		FVC1600		LC0903-C□□□		

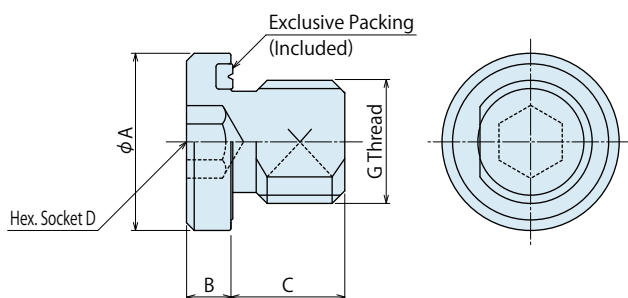
Applicable Products

Model No.	LKA (Double Action) Link Clamp	LKC (Double Action) Link Clamp	LKE (Double Action) High-Power Link Clamp	LKK (Double Action) Universal Clamp	LKV (Double Action) Link Clamp	LKW (Double Action) Link Clamp	LM (Single Action) Link Clamp	LJ (Single Action) Link Clamp	LJV (Single Action) Link Clamp
JZG010	LKA0360-C□□□	LKC0400-C□□□	LKE0300-C□	LKK0360-C-□	LKV0400-C□E-□	LKW0401-C□□□	LM0300-C□	LJ0302-C□	LJV0400-C□□□
	LKA0400-C□□□	LKC0480-C□□□	LKE0360-C□	LKK0400-C-□	LKV0480-C□E-□	LKW0481-C□□□	LM0360-C□	LJ0362-C□	LJV0480-C□□□
	LKA0480-C□□□	LKC0550-C□□□	LKE0400-C□	LKK0480-C-□	LKV0550-C□E-□	LKW0551-C□□□	LM0400-C□	LJ0402-C□	LJV0550-C□□□
	LKA0550-C□□□		LKE0480-C□	LKK0550-C-□			LM0480-C□	LJ0482-C□	
JZG020	LKA0650-C□□□	LKC0650-C□□□		LKK0650-C-□	LKV0650-C□E-□	LKW0651-C□□□	LM0650-C□	LJ0652-C□	LJV0650-C□□□
	LKA0750-C□□□				LKV0750-C□E-□	LKW0751-C□□□	LM0750-C□	LJ0752-C□	LJV0750-C□□□
JZG030	LKA0900-C□□□							LJ0902-C□	
	LKA1050-C□□□							LJ1052-C□	

Model No.	TLA-1 (Single Action) Swing Clamp	TLA-2 (Double Action) Swing Clamp	TLB-2 (Double Action) Swing Clamp	TLV-2 (Double Action) Swing Clamp	TMA-1 (Double Action) Link Clamp	TMA-2 (Double Action) Link Clamp	TMV-2 (Double Action) Link Clamp
JZG010	TLA0402-1C□	TLA0401-2C□□	TLB0401-2C□□	TLV0800-2C□□	TMA0250-1C□	TMA0250-2C□	TMV0400-2C□□
	TLA0602-1C□	TLA0601-2C□□	TLB0601-2C□□	TLV1000-2C□□	TMA0400-1C□	TMA0400-2C□	TMV0600-2C□□
	TLA0802-1C□	TLA0801-2C□□	TLB0801-2C□□	TLV1600-2C□□	TMA0600-1C□	TMA0600-2C□	TMV1000-2C□□
	TLA1002-1C□	TLA1001-2C□□	TLB1001-2C□□		TMA1000-1C□	TMA1000-2C□	
	TLA1602-1C□	TLA1601-2C□□	TLB1601-2C□□				
JZG020	TLA2002-1C□	TLA2001-2C□□	TLB2001-2C□□	TLV2000-2C□□	TMA1600-1C□	TMA1600-2C□	TMV1600-2C□□
	TLA2502-1C□	TLA2501-2C□□	TLB2501-2C□□		TMA2500-1C□	TMA2500-2C□	
	TLA4002-1C□	TLA4001-2C□□	TLB4001-2C□□		TMA3200-1C□	TMA3200-2C□	

Model No.	LFA (Double Action) Link Clamp	LFW (Double Action) Link Clamp	LSA (Double Action) Side Clamp	LSE (Double Action) High-Power Side Clamp	LL (Double Action) Linear Cylinder	LLR (Double Action) Linear Cylinder	LLV (Double Action) Lift Cylinder	LLW (Double Action) Lift Cylinder	TTA (Double Action) Linear Cylinder
JZG010	LFA0480-C□□	LFW0480-C□□	LSA0360-C-□	LSE0360-C-□	LL0360-C□□□	LLR0360-C□□□	LLV0360-C□E-□	LLW0361-C□□□	TTA0360-C□□□
	LFA0550-C□□	LFW0550-C□□			LL0400-C□□□	LLR0400-C□□□	LLV0400-C□E-□	LLW0401-C□□□	TTA0400-C□□□
JZG020	LFA0650-C□□	LFW0650-C□□			LL0480-C□□□	LLR0480-C□□□	LLV0480-C□E-□	LLW0481-C□□□	TTA0480-C□□□
	LFA0750-C□□	LFW0750-C□□			LL0550-C□□□	LLR0550-C□□□			TTA0550-C□□□
					LL0650-C□□□	LLR0650-C□□□			TTA0650-C□□□
JZG030					LL0750-C□□□	LLR0750-C□□□			
					LL0900-C□□□	LLR0900-C□□□			
				LL1050-C□□□	LLR1050-C□□□				

External Dimensions



Model No.	JZG010	JZG020	JZG030
A	14	18	22
B	3.5	4.5	4.5
C	8	9	10
D	5	6	8
G	G1/8A	G1/4A	G3/8A

High-Power
Series

Pneumatic Series

Hydraulic Series

Valve / Coupler
Hydraulic UnitManual Operation
Accessories

Cautions / Others

Hole Clamp

SFA
SFC

Swing Clamp

LHA
LHC
LHS
LHW
LG/LT
TLA-2
TLB-2
TLA-1

Link Clamp

LKA
LKC
LKW
LJ/LM
TMA-2
TMA-1

Work Support

LD
LC
TNC
TCAir Sensing
Lift Cylinder

LLW

Linear Cylinder /
Compact CylinderLL
LLR
LLU
DP
DR
DS
DT

Block Cylinder

DBA/DBC

Centering Vise

FVA
FVD
FVC

Control Valve

BZL
BZT
BZX/JZG
BZS

Pallet Clamp

VS/VT

Expansion
Locating PinVFL/VFM
VFJ/VFK

Pull Stud Clamp

FP
FQCustomized
Spring Cylinder

DWA/DWB

Manifold Block

Model WHZ-MD

Model LZY-MD

Model LZ-MS

Model LZ-MP

Model LZ-C

Model LZ-CQ

Model TMZ-1MB

Model TMZ-2MB

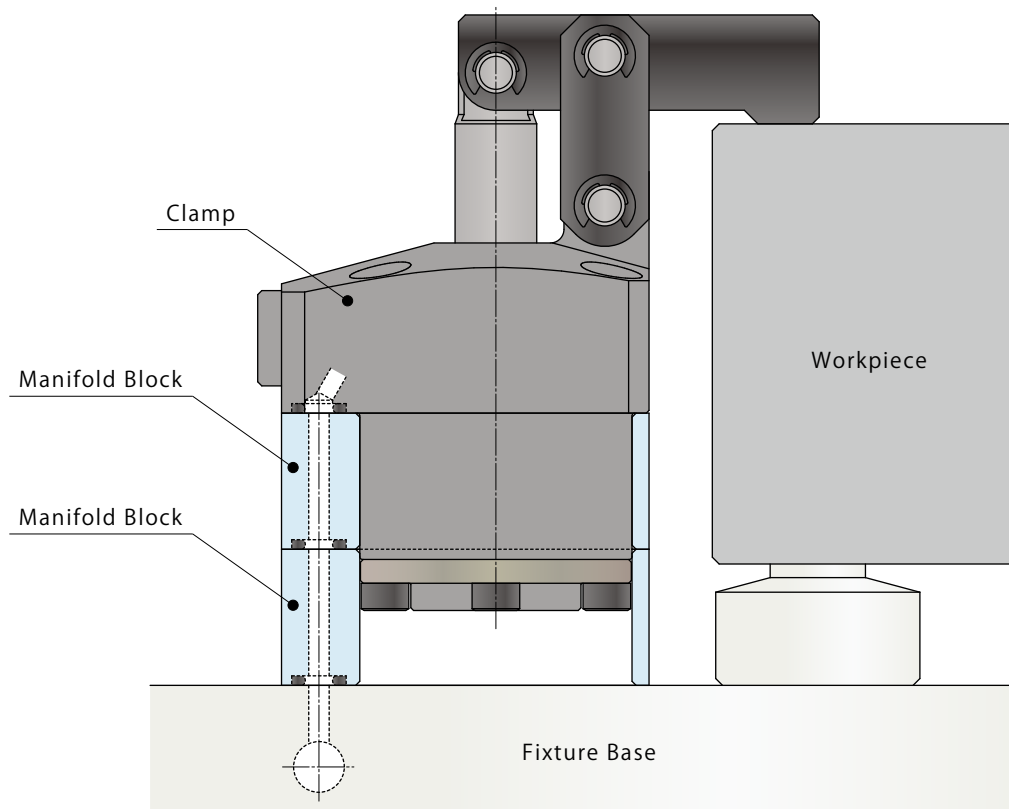
Model DZ-MG

Model DZ-MS



● Manifold Block

The mounting height of clamp is adjustable with the manifold block.

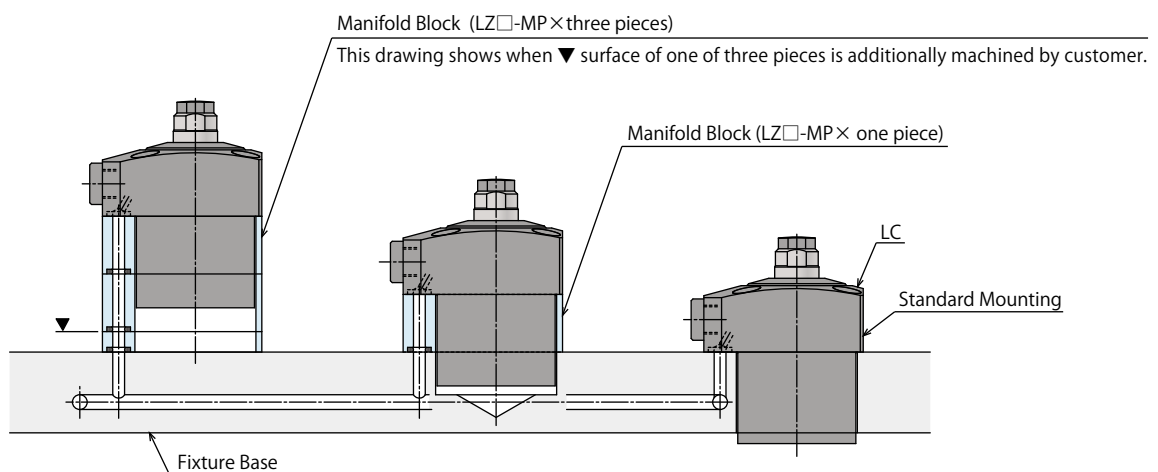


Applicable Model

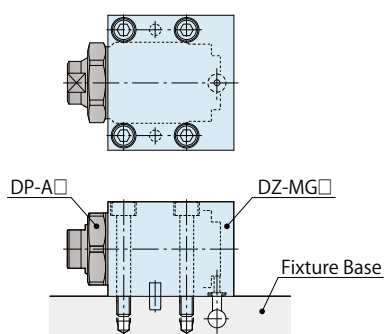
Manifold Block Model No.	Corresponding Item Model No.
Model WHZ-MD	Model WCA Model WHA Model WCE Model WHE
Model LZY-MD	Model LKA Model LKE Model LHA Model LHE Model LL Model LKC Model LKK Model LHC Model LHS
Model LZ-MS	Model LJ Model LG Model LM Model LT
Model LZ-MP	Model LC Model TC
Model LZ-C	Model LD
Model LZ-CQ	Model LD-Q
Model TMZ-1MB	Model TMA-1
Model TMZ-2MB	Model TMA-2
Model DZ-MG□/MS□	Model DP

Application Examples

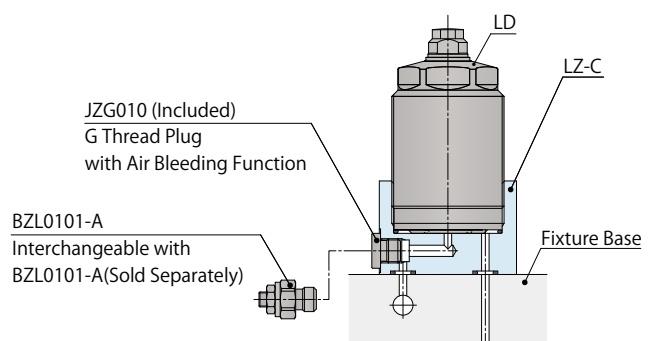
● Work Support (LC) Application Example



● Push Cylinder (DP) Application Example



● Work Support (LD) Application Example



- High-Power Series
- Pneumatic Series
- Hydraulic Series
- Valve / Coupler Hydraulic Unit
- Manual Operation Accessories
- Cautions / Others

Screw Locator

VXF/VXE

Manual Expansion Locating Pin

VX

Manifold Block

- WHZ-MD
- LZY-MD
- LZ-MS
- LZ-MP
- LZ-C
- LZ-CQ
- TMZ-1MB
- TMZ-2MB
- DZ-M

Manifold Block / Nut

- DZ-R
- DZ-C
- DZ-P
- DZ-B
- LZ-S
- LZ-SQ
- WNZ-SQ
- TNEZ-S
- TNEZ-SQ

Pressure Switch

JBA

Pressure Gauge

JGA/JGB

Manifold

JX

Coupler Switch

PS

G-Thread Fitting

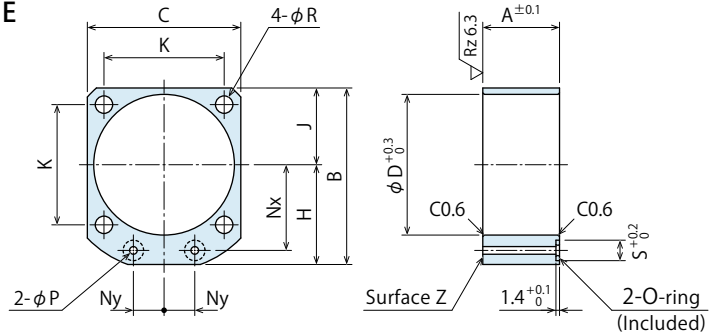
Manifold Block for WCA/WCE/WHA/WHE

Model No. Indication

WHZ 040 0 - MD

Size
(Refer to
following table)

Design No.
(Revision Number)



(mm)

Model No.	WHZ0450-MD	WHZ0600-MD	WHZ0320-MD	WHZ0400-MD	WHZ0500-MD	WHZ0630-MD
Corresponding Model No.	WCE0452 WHE0450	WCE0602 WHE0600	WCA0321 WHA0320 WCE1002 WHE1000	WCA0401 WHA0400 WCE1602 WHE1600	WCA0501 WHA0500 WCE2502 WHE2500	WCA0631 WHA0630 WCE4002 WHE4000
A	20	23	25	27	31	35
B	49	54	60	67	77	88.5
C	40	45	50	58	68	81
D	36	40	46	54	64	77
H	29	31.5	35	38	43	48
J	20	22.5	25	29	34	40.5
K	31.4	34	39	45	53	65
Nx	23.5	26	28	31	36	41
Ny	8	9	10	13	15	20
P	3	3	5	5	5	5
R	4.5	5.5	5.5	5.5	6.5	6.5
S	8	8	10	10	10	10
O-ring	OR NBR-90 P5-N			OR NBR-90 P7-N		
Weight kg	0.1	0.1	0.1	0.1	0.2	0.2

- Notes : 1. Material: A2017BE-T4 Surface Finishing: Zircon Finishing (Zirconium Chemical Conversion Treatment)
 2. Mounting bolts are not provided. Prepare mounting bolts according to the mounting height using the dimension A as a reference.
 3. For other block thickness (dim. A), machine the surface Z or design a block referring to the drawing and apply surface treatment if necessary.

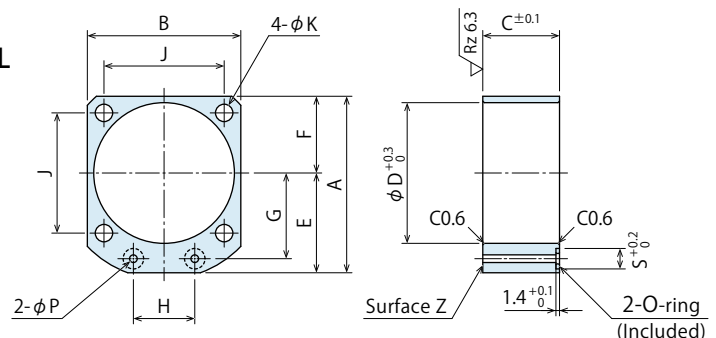
Manifold Block for LKA/LKC/LKE/LKK/LHA/LHC/LHE/LHS/LL

Model No. Indication

LZY 048 0 - MD

Size
(Refer to
following table)

Design No.
(Revision Number)



(mm)

Model No.	LZY0360-MD	LZY0400-MD	LZY0480-MD	LZY0550-MD	LZY0650-MD	LZY0750-MD	LZY0900-MD	LZY1050-MD
Corresponding Model No.	LKA0360 LKE0360 / LKK0360 LHA0360 / LHC0360 LHE0360 / LHS0360 LL0360	LKA0400 / LKC0400 LKE0400 / LKK0400 LHA0400 / LHC0400 LHE0400 / LHS0400 LL0400	LKA0480 / LKC0480 LKE0480 / LKK0480 LHA0480 / LHC0480 LHE0480 / LHS0480 LL0480	LKA0550 / LKC0550 LKE0550 / LKK0550 LHA0550 / LHC0550 LHE0550 / LHS0550 LL0550	LKA0650 / LKC0650 LKE0650 / LKK0650 LHA0650 / LHC0650 LHE0650 / LHS0650 LL0650	LKA0750 LHA0750 LHS0750 LL0750	LKA0900 LHA0900 LHS0900 LL0900	LKA1050 LHA1050 LHS1050 LL1050
A	49	54	61	69	81	92	107	122
B	40	45	51	60	70	80	95	110
C	20	20	27	30	32	37	45	50
D	36	40	48	55	65	75	90	105
E	29	31.5	35.5	39	46	52	59.5	67
F	20	22.5	25.5	30	35	40	47.5	55
G	23.5	26	30	33.5	39.5	45	52.5	60
H	16	18	22	24	30	32	37	45
J	31.4	34	40	47	55	63	75	88
K	4.5	5.5	5.5	6.8	6.8	9	11	14
P	3	3	3	3	5	5	5	5
S	8	8	8	8	10	10	10	10
O-ring	OR NBR-90 P5-N				OR NBR-90 P7-N			
Weight kg	0.2	0.2	0.3	0.4	0.5	0.8	1.2	1.7

- Notes : 1. Material: S45C Surface Finishing: Alkaline Blackening
 2. Mounting bolts are not provided. Prepare mounting bolts according to the mounting height using the dimension C as a reference.
 3. For other block thickness (dim. C), machine the surface Z or design a block referring to the drawing and apply surface treatment if necessary.

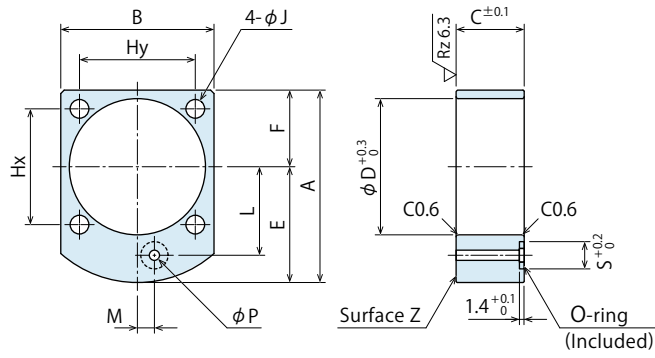
Manifold Block for LJ/LM/LG/LT

Model No. Indication

LZ 048 0 - MS

Size
(Refer to following table)

Design No.
(Revision Number)



(mm)

Model No.	LZ0300-MS	LZ0360-MS	LZ0400-MS	LZ0480-MS	LZ0550-MS	LZ0650-MS	LZ0750-MS	LZ0900-MS	LZ1050-MS
Corresponding Model No.	LG0301 / LT0301 LJ0302 / LM0300	LG036□ / LT036□ LJ0362 / LM0360	LG040□ / LT040□ LJ0402 / LM0400	LG048□ / LT048□ LJ0482 / LM0480	LG055□ / LT055□ LJ0552 / LM0550	LG065□ / LT065□ LJ0652 / LM0650	LG075□ / LT075□ LJ0752 / LM0750	LG090□ LJ0902	LG105□ LJ1052
A	48	51.5	56.5	62	70	82	93	107	122
B	34	40	45	51	60	70	80	95	110
C	18	20	20	27	30	32	37	45	50
D	30	36	40	48	55	65	75	90	105
E	28.5	31.5	34	36.5	40	47	53	59.5	67
F	19.5	20	22.5	25.5	30	35	40	47.5	55
Hx	30	31.4	34	40	47	55	63	75	88
Hy	23	31.4	34	40	47	55	63	75	88
J	4.5	4.5	5.5	5.5	6.8	6.8	9	11	14
L	20.5	23.5	26	30	33.5	39.5	45	52.5	60
M	3	5	5	0	0	0	0	0	0
P	3	3	3	3	3	5	5	5	5
S	8	8	8	8	8	10	10	10	10
O-ring	OR NBR-90 P5-N					OR NBR-90 P7-N			
Weight kg	0.1	0.2	0.2	0.3	0.4	0.5	0.8	1.2	1.7

- Notes:
1. Material: S45C Surface Finishing: Alkaline Blackening
 2. Mounting bolts are not provided. Prepare mounting bolts according to the mounting height using the dimension C as a reference.
 3. For other block thickness (dim. C), machine the surface Z or design a block referring to the drawing and apply surface treatment if necessary.

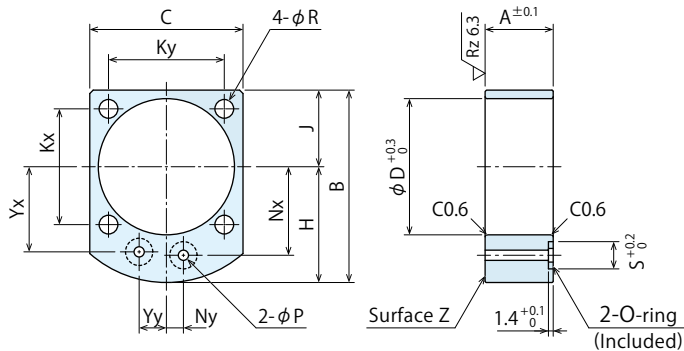
Manifold Block for LC/TC

Model No. Indication

LZ 048 0 - MP

Size
(Refer to following table)

Design No.
(Revision Number)



(mm)

Model No.	LZ0260-MP	LZ0300-MP	LZ0360-MP	LZ0400-MP	LZ0480-MP	LZ0550-MP	LZ0650-MP	LZ0750-MP	LZ0900-MP
Corresponding Model No.	LC0263	LC0303	LC0363	LC0403 / TC0403	LC0483 / TC0483	LC0553 / TC0553	LC0653 / TC0653	LC0753 / TC0753	LC0903
A	18	18	20	20	27	30	32	37	45
B	43	48	51.5	56.5	62	70	82	93	107
C	29	34	40	45	51	60	70	80	95
D	26	30	36	40	48	55	65	75	90
H	26.5	28.5	31.5	34	36.5	40	47	53	59.5
J	16.5	19.5	20	22.5	25.5	30	35	40	47.5
Kx	25	30	31.4	34	40	47	55	63	75
Ky	21	23	31.4	34	40	47	55	63	75
Nx	18.5	20.5	23.5	26	30	33.5	39.5	45	52.5
Ny	3	3	5	5	0	0	0	0	0
R	3.4	4.5	4.5	5.5	5.5	6.8	6.8	9	11
Yx	18.5	20.5	23.5	26	28	31	37	42.5	50
Yy	7	7	8	8	11	13	14	15	15
P	3	3	3	3	3	3	5	5	5
S	8	8	8	8	8	8	10	10	10
O-ring	OR NBR-90 P5-N					OR NBR-90 P7-N			
Weight kg	0.1	0.1	0.2	0.2	0.3	0.4	0.5	0.8	1.2

- Notes:
1. Material: S45C Surface Finishing: Alkaline Blackening
 2. Mounting bolts are not provided. Prepare mounting bolts according to the mounting height using the dimension A as a reference.
 3. For other block thickness (dim. A), machine the surface Z or design a block referring to the drawing and apply surface treatment if necessary.
 4. Please refer to LZ□-BZS on P.962A when using BZS Direct-Mount Sequence Valve with LC.

- High-Power Series
- Pneumatic Series
- Hydraulic Series
- Valve / Coupler Hydraulic Unit
- Manual Operation Accessories
- Cautions / Others

- Screw Locator
- VXF/VXE
- Manual Expansion Locating Pin
- VX
- Manifold Block
- WHZ-MD
- LZY-MD
- LZ-MS
- LZ-MP
- LZ-C
- LZ-CQ
- TMZ-1MB
- TMZ-2MB
- DZ-M

- Manifold Block / Nut
- DZ-R
- DZ-C
- DZ-P
- DZ-B
- LZ-S
- LZ-SQ
- WNZ-SQ
- TNEZ-S
- TNEZ-SQ

- Pressure Switch
- JBA
- Pressure Gauge
- JGA/JGB

- Manifold
- JX
- Coupler Switch
- PS
- G-Thread Fitting

Sales Offices

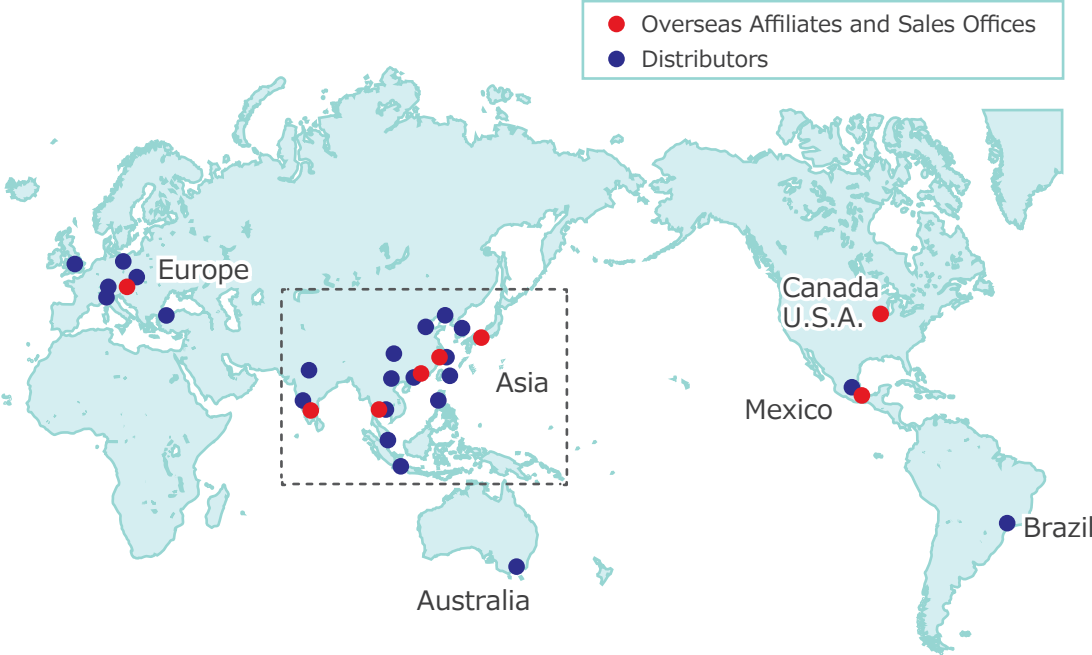
Sales Offices across the World

JAPAN HEAD OFFICE Overseas Sales	TEL. +81-78-991-5162	FAX. +81-78-991-8787
	KOSMEK LTD. 1-5, 2-chome, Murotani, Nishi-ku, Kobe-city, Hyogo, Japan 651-2241 〒651-2241 兵庫県神戸市西区室谷2丁目1番5号	
United States of America SUBSIDIARY KOSMEK (USA) LTD.	TEL. +1-630-620-7650	FAX. +1-630-620-9015
	650 Springer Drive, Lombard, IL 60148 USA	
MEXICO REPRESENTATIVE OFFICE KOSMEK USA Mexico Office	TEL. +52-442-161-2347	
	Av. Santa Fe #103 int 59 Col. Santa Fe Juriquilla C.P. 76230 Queretaro, Qro Mexico	
EUROPE SUBSIDIARY KOSMEK EUROPE GmbH	TEL. +43-463-287587	FAX. +43-463-287587-20
	Schleppeplatz 2 9020 Klagenfurt am Wörthersee Austria	
CHINA KOSMEK (CHINA) LTD. 考世美(上海)貿易有限公司	TEL. +86-21-54253000	FAX. +86-21-54253709
	Room601, RIVERSIDE PYRAMID No.55, Lane21, Pusan Rd, Pudong Shanghai 200125, China 中国上海市浦东新区浦三路21弄55号银亿滨江中心601室 200125	
INDIA BRANCH OFFICE KOSMEK LTD - INDIA	TEL. +91-9880561695	
	4A/Old No:649, Ground Floor, 4th D cross, MM Layout,Kavalbyrasandra, RT Nagar, Bangalore -560032 India	
THAILAND REPRESENTATIVE OFFICE KOSMEK Thailand Representation Office	TEL. +66-2-300-5132	FAX. +66-2-300-5133
	67 Soi 58, RAMA 9 Rd., Suanluang, Suanluang, Bangkok 10250, Thailand	
TAIWAN (Taiwan Exclusive Distributor) Full Life Trading Co., Ltd. 盈生貿易有限公司	TEL. +886-2-82261860	FAX. +886-2-82261890
	16F-4, No.2, Jian Ba Rd., Zhonghe District, New Taipei City Taiwan 23511 台湾新北市中和區建八路2號 16F-4 (遠東世紀廣場)	
PHILIPPINES (Philippines Exclusive Distributor) G.E.T. Inc, Phil.	TEL. +63-2-310-7286	FAX. +63-2-310-7286
	Victoria Wave Special Economic Zone Mt. Apo Building, Brgy. 186, North Caloocan City, Metro Manila, Philippines 1427	
INDONESIA (Indonesia Exclusive Distributor) PT. Yamata Machinery	TEL. +62-21-29628607	FAX. +62-21-29628608
	Delta Commercial Park I, Jl. Kenari Raya B-08, Desa Jayamukti, Kec. Cikarang Pusat Kab. Bekasi 17530 Indonesia	

Sales Offices in Japan

Head Office Osaka Sales Office Overseas Sales	TEL. 078-991-5162	FAX. 078-991-8787
	〒651-2241 兵庫県神戸市西区室谷2丁目1番5号	
Tokyo Sales Office	TEL. 048-652-8839	FAX. 048-652-8828
	〒331-0815 埼玉県さいたま市北区大成町4丁目81番地	
Nagoya Sales Office	TEL. 0566-74-8778	FAX. 0566-74-8808
	〒446-0076 愛知県安城市美園町2丁目10番地1	
Fukuoka Sales Office	TEL. 092-433-0424	FAX. 092-433-0426
	〒812-0006 福岡県福岡市博多区上牟田1丁目8-10-101	

Global Network



Asia Detailed Map



● FOR FURTHER INFORMATION ON UNLISTED SPECIFICATIONS AND SIZES, PLEASE CALL US.
 ● SPECIFICATIONS IN THIS CATALOG ARE SUBJECT TO CHANGE WITHOUT NOTICE.

