

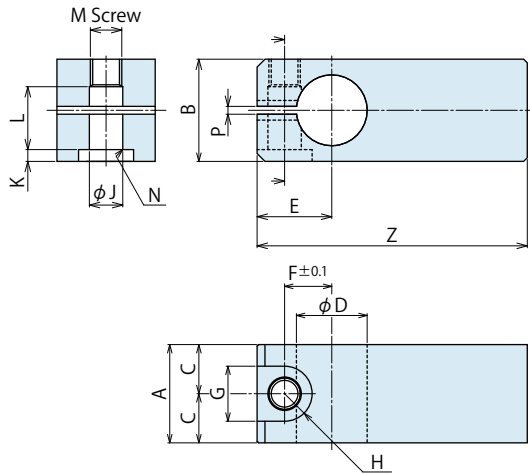
● Accessories : Material Swing Lever for Quick Change Lever Type F

Model No. Indication

LZH 048 0 - F

Size
(Refer to the table.)

Design No.
(Revision Number)



Model No.	LZH0360 -F	LZH0400 -F	LZH0480 -F	LZH0550 -F	LZH0650 -F	LZH0750 -F	LZH0900 -F	LZH1050 -F
Corresponding Model No.	LHA0360 -□□□-F	LHA0400 -□□□-F	LHA0480 -□□□-F	LHA0550 -□□□-F	LHA0650 -□□□-F	LHA0750 -□□□-F	LHA0900 -□□□-F	LHA1050 -□□□-F
A	22	25	30	34	40	46	55	60
B	22	26	32	36	45	53	70	82
C	11	12.5	15	17	20	23	27.5	30
D	15 - ⁰ / _{0.016}	18 - ⁰ / _{0.016}	22 - ⁰ / _{0.020}	25 - ⁰ / _{0.020}	30 - ⁰ / _{0.020}	35.5 - ⁰ / _{0.025}	45 - ⁰ / _{0.025}	55 - ⁰ / _{0.030}
E	15	19	23	26.5	31.5	36.5	46	55
F	9.75	12	14.75	17	20	23.5	29.75	36
G	11	14	17.5	20	23	26	32	39
H	R5.5	R7	R8.75	R10	R11.5	R13	R16	R19.5
J	6.5	8.5	10.5	12.5	14.5	16.5	21	25
K	2	3	4	4	5	7	9	11
L	13.5	16	18	22	26.5	31	42	46
M	M6×1	M8×1	M10×1.25	M12×1.5	M14×1.5	M16×1.5	M20×2	M24×2
N	C0.4	C0.6	C0.6	C1	C1	C1	C1	C1
P	2	2	2	2	2	2	2	2
Z	120	145	160	170	175	185	220	270

Notes :

1. Material : S50CH
2. If necessary, the front end should be additionally machined.
3. When determining the phase, refer to quick change lever design dimensions for each model for the additional machining.
4. Tightening Bolt (LZH□-B) for Quick Change Lever is sold separately.

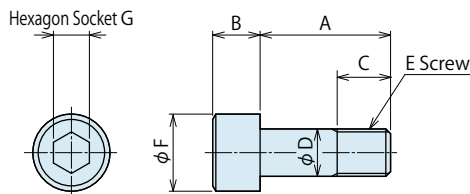
● Accessories : Tightening Bolts for Quick Change Lever Type F

Model No. Indication

LZH 048 0 - B

Size
(Refer to the table.)

Design No.
(Revision Number)



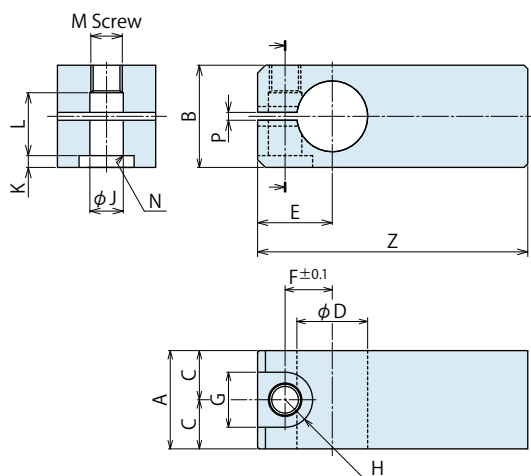
Model No.	LZH0360 -B	LZH0400 -B	LZH0480 -B	LZH0550 -B	LZH0650 -B	LZH0750 -B	LZH0900 -B	LZH1050 -B
Corresponding Model No.	LHA0360 -□□□-F	LHA0400 -□□□-F	LHA0480 -□□□-F	LHA0550 -□□□-F	LHA0650 -□□□-F	LHA0750 -□□□-F	LHA0900 -□□□-F	LHA1050 -□□□-F
A	20	23	28	32	40	46	61	71
B	6	8	10	12	14	16	20	24
C	7	10	11	13	16	18	23	27
D	6	8	10	12	14	16	20	24
E	M6×1	M8×1	M10×1.25	M12×1.5	M14×1.5	M16×1.5	M20×2	M24×2
F	10	13	16	18	21	24	30	36
G	5	6	8	10	12	14	17	19

- High-Power Series
- Pneumatic Series
- Hydraulic Series
- Valve / Coupler Hydraulic Unit
- Manual Operation Accessories
- Cautions / Others
- Hole Clamp
 - SFA
 - SFC
- Swing Clamp
 - LHA
 - LHC
 - LHS
 - LHW
 - LT/LG
 - TLA-2
 - TLB-2
 - TLA-1
- Link Clamp
 - LKA
 - LKC
 - LKW
 - LM/LJ
 - TMA-2
 - TMA-1
- Work Support
 - LD
 - LC
 - TNC
 - TC
- Air Sensing Lift Cylinder
 - LLW
- Compact Cylinder
 - LL
 - LLR
 - LLU
 - DP
 - DR
 - DS
 - DT
- Block Cylinder
 - DBA
 - DBC
- Centering Vise
 - FVA
 - FVD
 - FVC
- Control Valve
 - BZL
 - BZT
 - BZX/JZG
- Pallet Clamp
 - VS
 - VT
- Expansion Locating Pin
 - VFL
 - VFM
 - VFJ
 - VFK
- Pull Stud Clamp
 - FP
 - FQ
- Customized Spring Cylinder
 - DWA/DWB

Accessories : Material Swing Lever for Quick Change Lever Type F

Model No. Indication

LZH 040 0 - F

Size
(Refer to the table.)Design No.
(Revision Number)

Model No.	LZH0300-F	LZH0360-F	LZH0400-F	LZH0480-F	LZH0550-F
Corresponding Model No.	LHE0300-□□□-F	LHE0360-□□□-F	LHE0400-□□□-F	LHE0480-□□□-F	LHE0550-□□□-F
A	16	22	25	30	34
B	19	22	26	32	36
C	8	11	12.5	15	17
D	12 ⁰ _{-0.016}	15 ⁰ _{-0.016}	18 ⁰ _{-0.016}	22 ⁰ _{-0.020}	25 ⁰ _{-0.020}
E	13	15	19	23	26.5
F	7.75	9.75	12	14.75	17
G	10	11	14	17.5	20
H	R5	R5.5	R7	R8.75	R10
J	5.5	6.5	8.5	10.5	12.5
K	1.5	2	3	4	4
L	11.5	13.5	16	18	22
M	M5×0.8	M6×1	M8×1	M10×1.25	M12×1.5
N	C0.4	C0.4	C0.6	C0.6	C1
P	2	2	2	2	2
Z	100	120	145	160	170

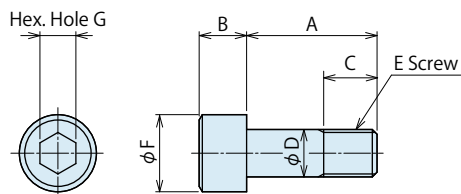
Notes :

1. Material : S50CH
2. If necessary, the front end should be additionally machined.
3. The pin hole for stopper and lever phasing should be additionally machined by referring to Quick Change Lever Type F Design Dimensions.
4. Tightening Bolt (LZH□-B) for Quick Change Lever Type F is sold separately.

Accessories : Tightening Bolt for Quick Change Lever Type F

Model No. Indication

LZH 040 0 - B

Size
(Refer to the table.)Design No.
(Revision Number)

Model No.	LZH0300-B	LZH0360-B	LZH0400-B	LZH0480-B	LZH0550-B
Corresponding Model No.	LHE0300-□□□-F	LHE0360-□□□-F	LHE0400-□□□-F	LHE0480-□□□-F	LHE0550-□□□-F
A	17.5	20	23	28	32
B	5	6	8	10	12
C	6.5	7	10	11	13
D	5	6	8	10	12
E	M5×0.8	M6×1	M8×1	M10×1.25	M12×1.5
F	8.5	10	13	16	18
G	4	5	6	8	10

High-Power
Series

Pneumatic Series

Hydraulic Series

Valve / Coupler
Hydraulic UnitManual Operation
Accessories

Cautions / Others

High-Power Hydraulic
Swing Clamp

LHE

High-Power Hydraulic
Link Clamp

LKE

High-Power Pneumatic
Hole Clamp

SWE

High-Power Pneumatic
Swing Clamp

WHE

High-Power Pneumatic
Link Clamp

WCE

High-Power Pneumatic
Work Support

WNC

Rodless Hollow
Pneumatic Work Support

WNA

High-Power Pneumatic
Pallet Clamp

WVS

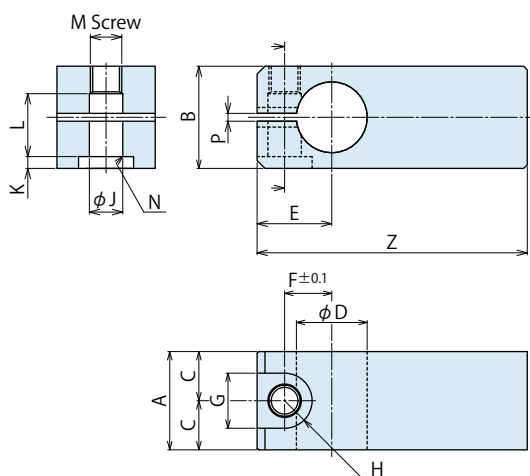
● Accessories : Material Swing Lever for Quick Change Lever Type F

Model No. Indication

LZH 048 0 - F

Size
(Refer to the table.)

Design No.
(Revision Number)



Model No.	LZH0360 -F	LZH0400 -F	LZH0480 -F	LZH0550 -F	LZH0650 -F	LZH0750 -F	LZH0900 -F	LZH1050 -F
Corresponding Model No.	LHS0360 -□□-F	LHS0400 -□□-F	LHS0480 -□□-F	LHS0550 -□□-F	LHS0650 -□□-F	LHS0750 -□□-F	LHS0900 -□□-F	LHS1050 -□□-F
A	22	25	30	34	40	46	55	60
B	22	26	32	36	45	53	70	82
C	11	12.5	15	17	20	23	27.5	30
D	15 - ⁰ / _{0.016}	18 - ⁰ / _{0.016}	22 - ⁰ / _{0.020}	25 - ⁰ / _{0.020}	30 - ⁰ / _{0.020}	35.5 - ⁰ / _{0.025}	45 - ⁰ / _{0.025}	55 - ⁰ / _{0.030}
E	15	19	23	26.5	31.5	36.5	46	55
F	9.75	12	14.75	17	20	23.5	29.75	36
G	11	14	17.5	20	23	26	32	39
H	R5.5	R7	R8.75	R10	R11.5	R13	R16	R19.5
J	6.5	8.5	10.5	12.5	14.5	16.5	21	25
K	2	3	4	4	5	7	9	11
L	13.5	16	18	22	26.5	31	42	46
M	M6×1	M8×1	M10×1.25	M12×1.5	M14×1.5	M16×1.5	M20×2	M24×2
N	C0.4	C0.6	C0.6	C1	C1	C1	C1	C1
P	2	2	2	2	2	2	2	2
Z	120	145	160	170	175	185	220	270

Notes :

1. Material : S50CH
2. If necessary, the front end should be additionally machined.
3. When determining the phase, refer to quick change lever design dimensions for each model for the additional machining.
4. Tightening Bolt (LZH□-B) for Quick Change Lever is sold separately.

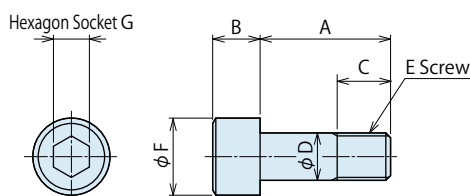
● Accessories : Tightening Bolts for Quick Change Lever Type F

Model No. Indication

LZH 048 0 - B

Size
(Refer to the table.)

Design No.
(Revision Number)



Model No.	LZH0360 -B	LZH0400 -B	LZH0480 -B	LZH0550 -B	LZH0650 -B	LZH0750 -B	LZH0900 -B	LZH1050 -B
Corresponding Model No.	LHS0360 -□□-F	LHS0400 -□□-F	LHS0480 -□□-F	LHS0550 -□□-F	LHS0650 -□□-F	LHS0750 -□□-F	LHS0900 -□□-F	LHS1050 -□□-F
A	20	23	28	32	40	46	61	71
B	6	8	10	12	14	16	20	24
C	7	10	11	13	16	18	23	27
D	6	8	10	12	14	16	20	24
E	M6×1	M8×1	M10×1.25	M12×1.5	M14×1.5	M16×1.5	M20×2	M24×2
F	10	13	16	18	21	24	30	36
G	5	6	8	10	12	14	17	19

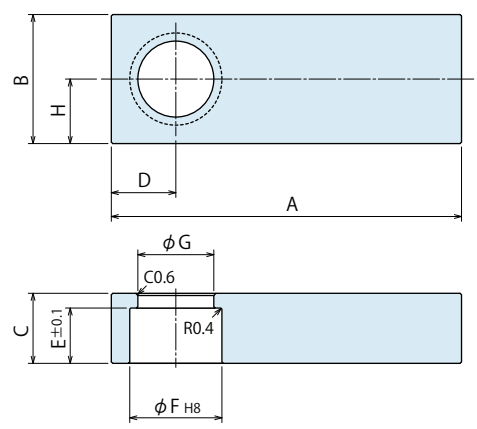
- High-Power Series
- Pneumatic Series
- Hydraulic Series**
- Valve / Coupler Hydraulic Unit
- Manual Operation Accessories
- Cautions / Others
- Hole Clamp
 - SFA
 - SFC
- Swing Clamp**
 - LHA
 - LHC
 - LHS**
 - LHW
 - LT/LG
 - TLA-2
 - TLB-2
 - TLA-1
- Link Clamp
 - LKA
 - LKC
 - LKW
 - LM/LJ
 - TMA-2
 - TMA-1
- Work Support
 - LD
 - LC
 - TNC
 - TC
- Air Sensing Lift Cylinder
 - LLW
- Compact Cylinder
 - LL
 - LLR
 - LLU
 - DP
 - DR
 - DS
 - DT
- Block Cylinder
 - DBA
 - DBC
- Centering Vise
 - FVA
 - FVD
 - FVC
- Control Valve
 - BZL
 - BZT
 - BZX/JZG
- Pallet Clamp
 - VS
 - VT
- Expansion Locating Pin
 - VFL
 - VFM
 - VFJ
 - VFK
- Pull Stud Clamp
 - FP
 - FQ
- Customized Spring Cylinder
 - DWA/DWB

Accessories : Material Swing Lever for Taper Lock Option

Model No. Indication

LZ 040 0 - LE2

Size (Refer to the table.) Design No. (Revision Number)



Model No.	LZ0300 -LE2	LZ0360 -LE2	LZ0400 -LE2	LZ0481 ^{※4} -LE2	LZ0550 -LE2	LZ0650 -LE2	LZ0750 -LE2	LZ0900 -LE2	LZ1050 -LE2
Corresponding Model No. ^{※3}	LT0301 LG0301	LT0361 LG0361	LT0401 LG0401	LT0481 LG0481	LT0551 LG0551	LT0651 LG0651	LT0751 LG0751	LG0901	LG1051
A	79.5	85	90	95	100	120	125	180	250
B	19	26	28	35	38	50	58	75	90
C	12	12	16	19	25	25	32	38	45
D	9.5	13	14	17.5	19	25	29	38	45
E	9.5	9.5	13	15	21	21	27	33	39
F	13.5 ^{+0.027} ₀	17 ^{+0.027} ₀	20 ^{+0.033} ₀	25 ^{+0.033} ₀	28 ^{+0.033} ₀	34 ^{+0.039} ₀	40 ^{+0.039} ₀	49 ^{+0.039} ₀	60 ^{+0.046} ₀
G	11 ^{+0.15} ₀	13.9 ^{+0.15} ₀	16.7 ^{+0.15} ₀	20.6 ^{+0.15} ₀	23 ^{+0.15} ₀	28 ^{+0.15} ₀	32.9 ^{+0.20} ₀	41.8 ^{+0.20} ₀	51.2 ^{+0.20} ₀
H	9.5	13	14	17.5	19	25	29	37.5	45

Notes :

1. Material : S45C
2. If necessary, the front end should be additionally machined.
3. When determining the phase, refer to taper lock lever design dimensions for each model for the additional machining.
- ※3. Refer to Accessory of Quick Change Lever Type A for -A (Quick Change Lever Type A). Refer to Accessory of Quick Change Lever Type F for -F (Quick Change Lever Type F). For -P (Balance Lever Option), it should be designed by customer.
- ※4. The design number is 1 only for LZ048.

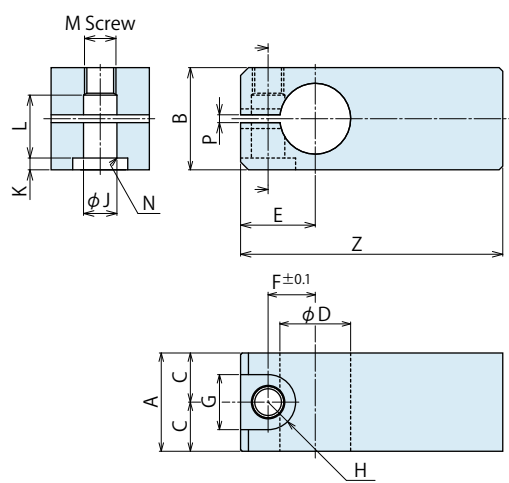
- High-Power Series
- Pneumatic Series
- Hydraulic Series**
- Valve / Coupler Hydraulic Unit
- Manual Operation Accessories
- Cautions / Others
- Hole Clamp
 - SFA
 - SFC
- Swing Clamp**
 - LHA
 - LHC
 - LHS
 - LHW
 - LT/LG**
 - TLA-2
 - TLB-2
 - TLA-1
- Link Clamp
 - LKA
 - LKC
 - LKW
 - LM/LJ
 - TMA-2
 - TMA-1

Accessories : Material Swing Lever for Quick Change Lever Type F

Model No. Indication

LZH 040 0 - F

Size (Refer to the table.) Design No. (Revision Number)



Model No.	LZH0300 -F	LZH0360 -F	LZH0400 -F	LZH0480 -F	LZH0550 -F	LZH0650 -F	LZH0750 -F	LZH0900 -F	LZH1050 -F
Corresponding Model No. ^{※1}	LT0301-F LG0301-F	LT0361-F LG0361-F	LT0401-F LG0401-F	LT0481-F LG0481-F	LT0551-F LG0551-F	LT0651-F LG0651-F	LT0751-F LG0751-F	LG0901-F	LG1051-F
A	16	22	25	30	34	40	46	55	60
B	19	22	26	32	36	45	53	70	82
C	8	11	12.5	15	17	20	23	27.5	30
D	12 ^{-0.016} ₀	15 ^{-0.016} ₀	18 ^{-0.016} ₀	22 ^{-0.020} ₀	25 ^{-0.020} ₀	30 ^{-0.020} ₀	35.5 ^{-0.025} ₀	45 ^{-0.025} ₀	55 ^{-0.030} ₀
E	13	15	19	23	26.5	31.5	36.5	46	55
F	7.75	9.75	12	14.75	17	20	23.5	29.75	36
G	10	11	14	17.5	20	23	26	32	39
H	R5	R5.5	R7	R8.75	R10	R11.5	R13	R16	R19.5
J	5.5	6.5	8.5	10.5	12.5	14.5	16.5	21	25
K	1.5	2	3	4	4	5	7	9	11
L	11.5	13.5	16	18	22	26.5	31	42	46
M	M5×0.8	M6×1	M8×1	M10×1.25	M12×1.5	M14×1.5	M16×1.5	M20×2	M24×2
N	C0.4	C0.4	C0.6	C0.6	C1	C1	C1	C1	C1
P	2	2	2	2	2	2	2	2	2
Z	100	120	145	160	170	175	185	220	270

Notes :

1. Material : S50CH
2. If necessary, the front end should be additionally machined.
3. The pin hole for stopper and lever phasing should be additionally machined by referring to Quick Change Lever Type F Design Dimensions.
4. Tightening Bolt (LZH□-B) for Quick Change Lever Type F is sold separately.

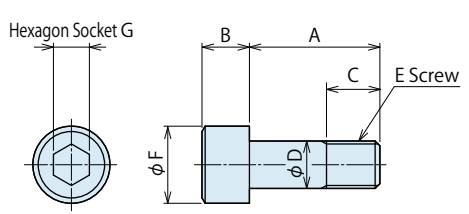
- Work Support
 - LD
 - LC
 - TNC
 - TC
- Air Sensing Lift Cylinder
 - LLW
- Compact Cylinder
 - LL
 - LLR
 - LLU
 - DP
 - DR
 - DS
 - DT
- Block Cylinder
 - DBA
 - DBC
- Centering Vise
 - FVA
 - FVD
 - FVC
- Control Valve
 - BZL
 - BZT
 - BZX/JZG

Accessories : Tightening Bolts for Quick Change Lever Type F

Model No. Indication

LZH 040 0 - B

Size (Refer to the table.) Design No. (Revision Number)



Model No.	LZH0300 -B	LZH0360 -B	LZH0400 -B	LZH0480 -B	LZH0550 -B	LZH0650 -B	LZH0750 -B	LZH0900 -B	LZH1050 -B
Corresponding Model No. ^{※1}	LT0301-F LG0301-F	LT0361-F LG0361-F	LT0401-F LG0401-F	LT0481-F LG0481-F	LT0551-F LG0551-F	LT0651-F LG0651-F	LT0751-F LG0751-F	LG0901-F	LG1051-F
A	17.5	20	23	28	32	40	46	61	71
B	5	6	8	10	12	14	16	20	24
C	6.5	7	10	11	13	16	18	23	27
D	5	6	8	10	12	14	16	20	24
E	M5×0.8	M6×1	M8×1	M10×1.25	M12×1.5	M14×1.5	M16×1.5	M20×2	M24×2
F	8.5	10	13	16	18	21	24	30	36
G	4	5	6	8	10	12	14	17	19

- Pallet Clamp
 - VS
 - VT
- Expansion Locating Pin
 - VFL
 - VFM
 - VFJ
 - VFK
- Pull Stud Clamp
 - FP
 - FQ
- Customized Spring Cylinder
 - DWA/DWB