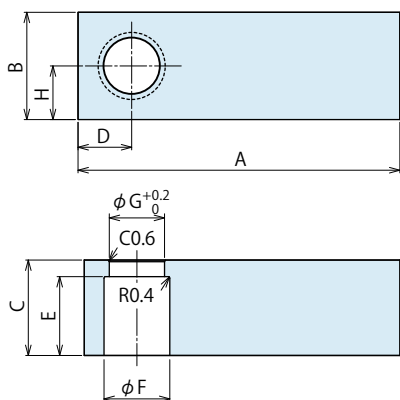


Accessories : Material Swing Lever for Taper Lock Option

Model No. Indication

LZH 048 0 - T
 Size (Refer to the table.) Design No. (Revision Number)



Model No.	LZH0360 -T	LZH0400 -T	LZH0480 -T	LZH0550 -T	LZH0650 -T	LZH0750 -T	LZH0900 -T	LZH1050 -T
Corresponding Model No.※1	LHA0360	LHA0400	LHA0480	LHA0550	LHA0650	LHA0750	LHA0900	LHA1050
A	120	145	160	170	175	185	220	270
B	26	32	40	45	50	58	75	90
C	17	19	23	26	29	35	43	50
D	13	16	20	23	25	29	38	45
E	14	16	19	22	25	31	38	44
F	17	20	25	28	34	40	49	60
G	15	17	21	23.5	29	33	42	51
H	13	16	20	22.5	25	29	37.5	45

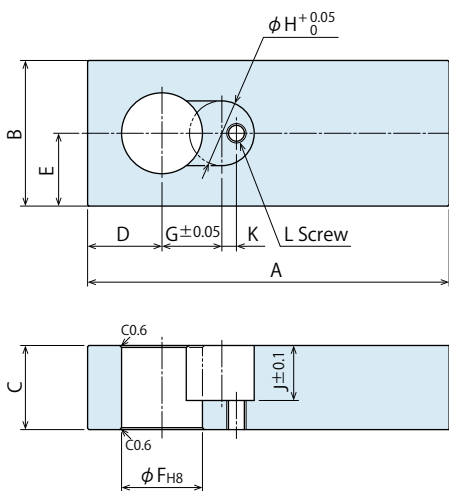
Notes :

1. Material : S50CH
 2. If necessary, the front end should be additionally machined.
 3. When determining the phase, refer to taper lock lever design dimensions for each model for the additional machining.
- ※1. Refer to Accessory of Quick Change Lever Type A for -A (Quick Change Lever Type A). Refer to Accessory of Quick Change Lever Type F for -F (Quick Change Lever Type F). For -P (Balance Lever Option), it should be designed by customer.

Accessories : Material Swing Lever for Quick Change Lever Type A

Model No. Indication

LZH 048 0 - A
 Size (Refer to the table.) Design No. (Revision Number)



Model No.	LZH0360 -A	LZH0400 -A	LZH0480 -A	LZH0550 -A	LZH0650 -A	LZH0750 -A	LZH0900 -A	LZH1050 -A
Corresponding Model No.	LHA0360 -□□□-A	LHA0400 -□□□-A	LHA0480 -□□□-A	LHA0550 -□□□-A	LHA0650 -□□□-A	LHA0750 -□□□-A	LHA0900 -□□□-A	LHA1050 -□□□-A
A	120	145	160	170	175	185	220	270
B	26	32	40	45	50	58	75	90
C	17	19	23	26	29	35	43	50
D	13	16	20	23	25	29	38	45
E	13	16	20	22.5	25	29	37.5	45
F	15 ^{+0.027}	18 ^{+0.027}	22 ^{+0.033}	25 ^{+0.033}	30 ^{+0.033}	35.5 ^{+0.039}	45 ^{+0.039}	55 ^{+0.046}
G	12.5	15	16.5	18.5	20.5	25	31	33.5
H	12	15	18	20	24	28	36	46
J	11	13	15.5	17	19	21	28	33
K	2	2.5	4	4.5	6.5	6.5	9	14
L	M4×0.7	M5×0.8	M5×0.8	M6×1	M6×1	M8×1.25	M10×1.5	M10×1.5

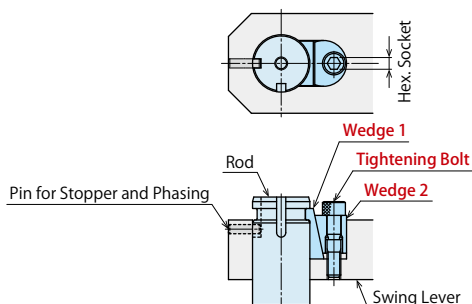
Notes :

1. Material : S50CH
2. If necessary, the front end should be additionally machined.
3. The pin hole for stopper and lever phasing should be additionally machined by referring to Quick Change Lever Type A Design Dimensions.
4. Tightening Kit (LZH□-W) for Quick Change Lever Type A is sold separately.

Accessories : Tightening Kit for Quick Change Lever Type A

Model No. Indication

LZH 048 0 - W
 Size (Refer to the table.) Design No. (Revision Number)



Tightening Kit for mounting Quick Change Lever Type A.

Sold separately from clamp body.

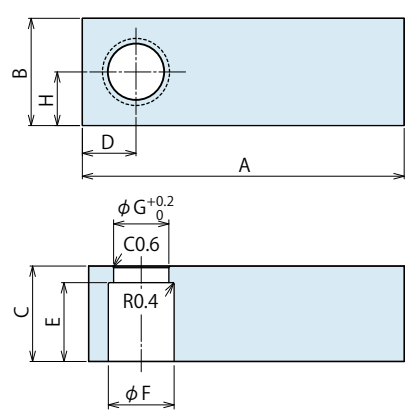
【Contents of Tightening Kit】

- Wedge 1 • Wedge 2 • Tightening Bolt

Model No.	LZH0360 -W	LZH0400 -W	LZH0480 -W	LZH0550 -W	LZH0650 -W	LZH0750 -W	LZH0900 -W	LZH1050 -W
Corresponding Model No.	LHA0360 -□□□-A	LHA0400 -□□□-A	LHA0480 -□□□-A	LHA0550 -□□□-A	LHA0650 -□□□-A	LHA0750 -□□□-A	LHA0900 -□□□-A	LHA1050 -□□□-A
Nominal×Pitch of Tightening Bolt	M4×0.7	M5×0.8	M5×0.8	M6×1	M6×1	M8×1.25	M10×1.5	M10×1.5
Hex. Socket mm	3	4	4	5	5	6	8	8
Tightening Torque N·m	2.5	5.0	5.0	8.0	8.0	20	40	45

Accessories : Material Swing Lever for Taper Lock Option

Model No. Indication
LZH 048 0 - T
Size (Refer to the table.) Design No. (Revision Number)



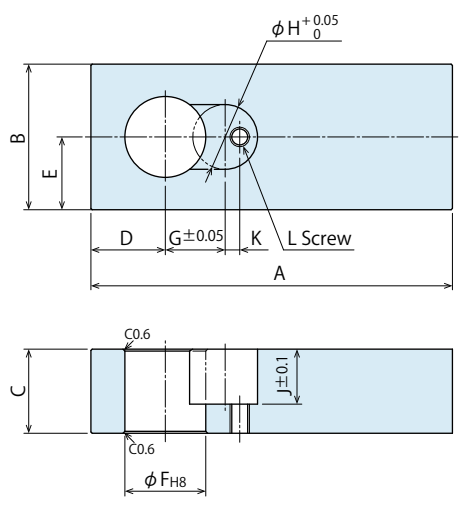
(mm)

Model No.	LZH0360-T	LZH0400-T	LZH0480-T	LZH0550-T	LZH0650-T
Corresponding Model No. ^{※5}	LHC0360	LHC0400	LHC0480	LHC0550	LHC0650
A	120	145	160	170	175
B	26	32	40	45	50
C	17	19	23	26	29
D	13	16	20	23	25
E	14	16	19	22	25
F	17	20	25	28	34
G	15	17	21	23.5	29
H	13	16	20	22.5	25

- Notes :
1. Material : S50CH
 2. If necessary, the front end should be additionally machined.
 3. When determining the phase, refer to taper lock lever design dimensions for each model for the additional machining.
- ※5. Refer to Accessory of Quick Change Lever Type A for -A (Quick Change Lever Type A).

Accessories : Material Swing Lever for Quick Change Lever Type A

Model No. Indication
LZH 048 0 - A
Size (Refer to the table.) Design No. (Revision Number)



(mm)

Model No.	LZH0360-A	LZH0400-A	LZH0480-A	LZH0550-A	LZH0650-A
Corresponding Model No.	LHC0360-□□-A	LHC0400-□□-A	LHC0480-□□-A	LHC0550-□□-A	LHC0650-□□-A
A	120	145	160	170	175
B	26	32	40	45	50
C	17	19	23	26	29
D	13	16	20	23	25
E	13	16	20	22.5	25
F	15 ^{+0.027}	18 ^{+0.027}	22 ^{+0.033}	25 ^{+0.033}	30 ^{+0.033}
G	12.5	15	16.5	18.5	20.5
H	12	15	18	20	24
J	11	13	15.5	17	19
K	2	2.5	4	4.5	6.5
L	M4×0.7	M5×0.8	M5×0.8	M6×1	M6×1

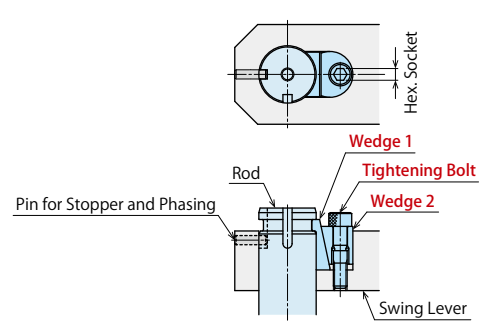
- Notes :
1. Material : S50CH
 2. If necessary, the front end should be additionally machined.
 3. The pin hole for stopper and lever phasing should be additionally machined by referring to Quick Change Lever Type A Design Dimensions.
 4. Tightening Kit (LZH□-W) for Quick Change Lever Type A is sold separately.

Accessories : Tightening Kit for Quick Change Lever Type A

Model No. Indication
LZH 048 0 - W
Size (Refer to the table.) Design No. (Revision Number)

Tightening Kit for mounting Quick Change Lever Type A.
Sold separately from clamp body.

- 【Contents of Tightening Kit】
• Wedge 1 • Wedge 2 • Tightening Bolt



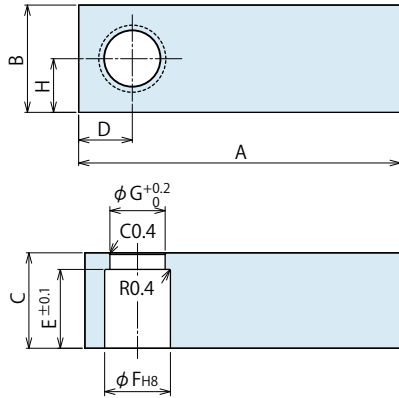
Model No.	LZH0360-W	LZH0400-W	LZH0480-W	LZH0550-W	LZH0650-W
Corresponding Model No.	LHC0360-□□-A	LHC0400-□□-A	LHC0480-□□-A	LHC0550-□□-A	LHC0650-□□-A
Nominal×Pitch of Tightening Bolt	M4×0.7	M5×0.8	M5×0.8	M6×1	M6×1
Hex. Socket mm	3	4	4	5	5
Tightening Torque N·m	2.5	5.0	5.0	8.0	8.0

- High-Power Series
- Pneumatic Series
- Hydraulic Series**
- Valve / Coupler Hydraulic Unit
- Manual Operation Accessories
- Cautions / Others
- Hole Clamp
 - SFA
 - SFC
- Swing Clamp
 - LHA
 - LHC**
 - LHS
 - LHW
 - LT/LG
 - TLA-2
 - TLB-2
 - TLA-1
- Link Clamp
 - LKA
 - LKC
 - LKW
 - LM/LJ
 - TMA-2
 - TMA-1
- Work Support
 - LD
 - LC
 - TNC
 - TC
- Air Sensing Lift Cylinder
 - LLW
- Compact Cylinder
 - LL
 - LLR
 - LLU
 - DP
 - DR
 - DS
 - DT
- Block Cylinder
 - DBA
 - DBC
- Centering Vise
 - FVA
 - FVD
 - FVC
- Control Valve
 - BZL
 - BZT
 - BZX/JZG
- Pallet Clamp
 - VS
 - VT
- Expansion Locating Pin
 - VFL
 - VFM
 - VFJ
 - VFK
- Pull Stud Clamp
 - FP
 - FQ
- Customized Spring Cylinder
 - DWA/DWB

Accessories : Material Swing Lever for Taper Lock Option

Model No. Indication

LZH 040 0 - T
 Size (Refer to the table.) Design No. (Revision Number)



(mm)

Model No.	LZH0300-T	LZH0360-T	LZH0400-T	LZH0480-T	LZH0550-T
Corresponding Model No. ※6	LHE0300-□□□-Y□	LHE0360-□□□-Y□	LHE0400-□□□-Y□	LHE0480-□□□-Y□	LHE0550-□□□-Y□
A	90	120	145	160	170
B	21	26	32	40	45
C	14	17	19	23	26
D	10.5	13	16	20	23
E	11	14	16	19	22
F	14 + ^{0.027} / ₀	17 + ^{0.027} / ₀	20 + ^{0.033} / ₀	25 + ^{0.033} / ₀	28 + ^{0.033} / ₀
G	11	15	17	21	23.5
H	10.5	13	16	20	22.5

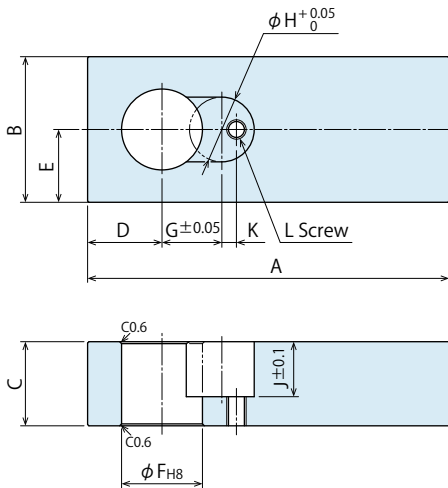
Notes :

1. Material : S50CH
2. If necessary, the front end should be additionally machined.
3. When phasing refer to Taper Lock Lever Design Dimensions for additional machining.
- ※6. Refer to Accessory of Quick Change Lever Type A for -A (Quick Change Lever Type A). Refer to Accessory of Quick Change Lever Type F for -F (Quick Change Lever Type F). For -P (Balance Lever Option), it should be designed by customer.

Accessories : Material Swing Lever for Quick Change Lever Type A

Model No. Indication

LZH 040 0 - A
 Size (Refer to the table.) Design No. (Revision Number)



(mm)

Model No.	LZH0300-A	LZH0360-A	LZH0400-A	LZH0480-A	LZH0550-A
Corresponding Model No.	LHE0300-□□□-A	LHE0360-□□□-A	LHE0400-□□□-A	LHE0480-□□□-A	LHE0550-□□□-A
A	90	120	145	160	170
B	21	26	32	40	45
C	14	17	19	23	26
D	10.5	13	16	20	23
E	10.5	13	16	20	22.5
F	12 + ^{0.027} / ₀	15 + ^{0.027} / ₀	18 + ^{0.027} / ₀	22 + ^{0.033} / ₀	25 + ^{0.033} / ₀
G	10.75	12.5	15	16.5	18.5
H	10.5	12	15	18	20
J	9.5	11	13	15.5	17
K	1.25	2	2.5	4	4.5
L	M4×0.7	M4×0.7	M5×0.8	M5×0.8	M6×1

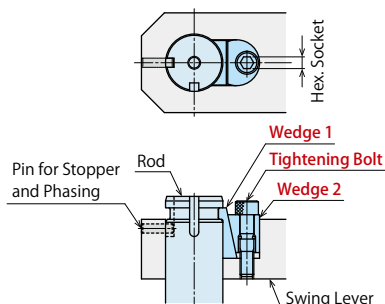
Notes :

1. Material : S50CH
2. If necessary, the front end should be additionally machined.
3. The pin hole for stopper and lever phasing should be additionally machined by referring to Quick Change Lever Type A Design Dimensions.
4. Tightening Kit (LZH□-W) for Quick Change Lever Type A is sold separately.

Accessories : Tightening Kit for Quick Change Lever Type A

Model No. Indication

LZH 040 0 - W
 Size (Refer to the table.) Design No. (Revision Number)



Tightening Kit for mounting Quick Change Lever Type A.
 Sold separately from clamp body.

【Contents of Tightening Kit】

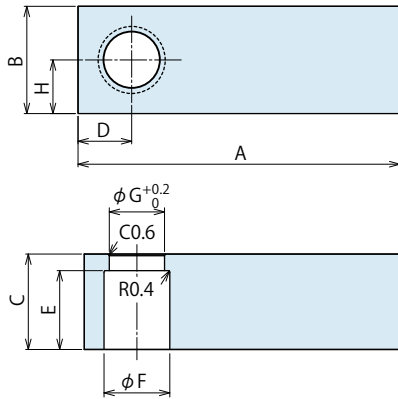
- Wedge 1 • Wedge 2 • Tightening Bolt

Model No.	LZH0300-W	LZH0360-W	LZH0400-W	LZH0480-W	LZH0550-W	
Corresponding Model No.	LHE0300-□□□-A	LHE0360-□□□-A	LHE0400-□□□-A	LHE0480-□□□-A	LHE0550-□□□-A	
Nominal×Pitch of Tightening Bolt	M4×0.7	M4×0.7	M5×0.8	M5×0.8	M6×1	
Hex. Socket	mm	3	3	4	4	5
Tightening Torque	N·m	2.5	2.5	5.0	5.0	8.0

Accessories : Material Swing Lever for Taper Lock Option

Model No. Indication

LZH 048 0 - T
 Size (Refer to the table.) Design No. (Revision Number)



Model No.	LZH0360 -T	LZH0400 -T	LZH0480 -T	LZH0550 -T	LZH0650 -T	LZH0750 -T	LZH0900 -T	LZH1050 -T
Corresponding Model No.※1	LHS0360	LHS0400	LHS0480	LHS0550	LHS0650	LHS0750	LHS0900	LHS1050
A	120	145	160	170	175	185	220	270
B	26	32	40	45	50	58	75	90
C	17	19	23	26	29	35	43	50
D	13	16	20	23	25	29	38	45
E	14	16	19	22	25	31	38	44
F	17	20	25	28	34	40	49	60
G	15	17	21	23.5	29	33	42	51
H	13	16	20	22.5	25	29	37.5	45

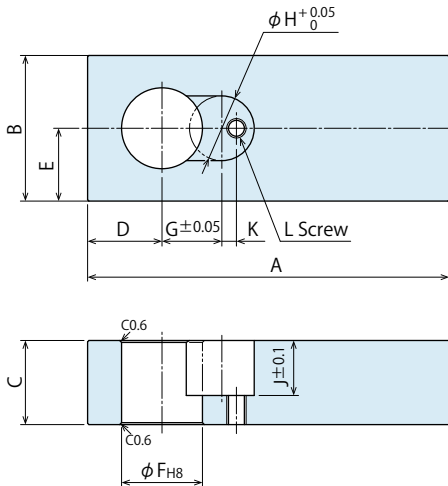
Notes :

1. Material : S50CH
2. If necessary, the front end should be additionally machined.
3. When determining the phase, refer to taper lock lever design dimensions for each model for the additional machining.
- ※1. Refer to Accessory of Quick Change Lever Type A for -A (Quick Change Lever Type A). Refer to Accessory of Quick Change Lever Type F for -F (Quick Change Lever Type F). For -P (Balance Lever Option), it should be designed by customer.

Accessories : Material Swing Lever for Quick Change Lever Type A

Model No. Indication

LZH 048 0 - A
 Size (Refer to the table.) Design No. (Revision Number)



Model No.	LZH0360 -A	LZH0400 -A	LZH0480 -A	LZH0550 -A	LZH0650 -A	LZH0750 -A	LZH0900 -A	LZH1050 -A
Corresponding Model No.	LHS0360 -□□-A	LHS0400 -□□-A	LHS0480 -□□-A	LHS0550 -□□-A	LHS0650 -□□-A	LHS0750 -□□-A	LHS0900 -□□-A	LHS1050 -□□-A
A	120	145	160	170	175	185	220	270
B	26	32	40	45	50	58	75	90
C	17	19	23	26	29	35	43	50
D	13	16	20	23	25	29	38	45
E	13	16	20	22.5	25	29	37.5	45
F	15 ^{+0.027}	18 ^{+0.027}	22 ^{+0.033}	25 ^{+0.033}	30 ^{+0.033}	35.5 ^{+0.039}	45 ^{+0.039}	55 ^{+0.046}
G	12.5	15	16.5	18.5	20.5	25	31	33.5
H	12	15	18	20	24	28	36	46
J	11	13	15.5	17	19	21	28	33
K	2	2.5	4	4.5	6.5	6.5	9	14
L	M4×0.7	M5×0.8	M5×0.8	M6×1	M6×1	M8×1.25	M10×1.5	M10×1.5

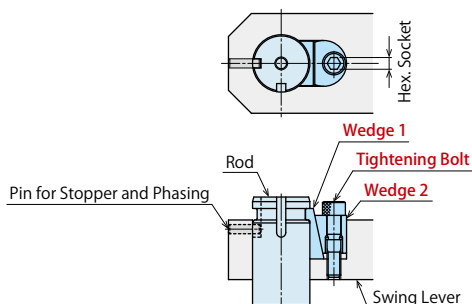
Notes :

1. Material : S50CH
2. If necessary, the front end should be additionally machined.
3. The pin hole for stopper and lever phasing should be additionally machined by referring to Quick Change Lever Type A Design Dimensions.
4. Tightening Kit (LZH□-W) for Quick Change Lever Type A is sold separately.

Accessories : Tightening Kit for Quick Change Lever Type A

Model No. Indication

LZH 048 0 - W
 Size (Refer to the table.) Design No. (Revision Number)



Tightening Kit for mounting Quick Change Lever Type A.

Sold separately from clamp body.

【Contents of Tightening Kit】

- Wedge 1 • Wedge 2 • Tightening Bolt

Model No.	LZH0360 -W	LZH0400 -W	LZH0480 -W	LZH0550 -W	LZH0650 -W	LZH0750 -W	LZH0900 -W	LZH1050 -W
Corresponding Model No.	LHS0360 -□□-A	LHS0400 -□□-A	LHS0480 -□□-A	LHS0550 -□□-A	LHS0650 -□□-A	LHS0750 -□□-A	LHS0900 -□□-A	LHS1050 -□□-A
Nominal×Pitch of Tightening Bolt	M4×0.7	M5×0.8	M5×0.8	M6×1	M6×1	M8×1.25	M10×1.5	M10×1.5
Hex. Socket mm	3	4	4	5	5	6	8	8
Tightening Torque N·m	2.5	5.0	5.0	8.0	8.0	20	40	45

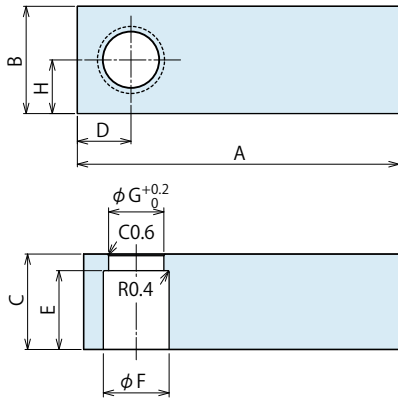
Accessories : Material Swing Lever for Taper Lock Option

Model No. Indication

LZH 048 0 - T

Size (Refer to the table.)

Design No. (Revision Number)



Model No.	LZH0400 -T	LZH0480 -T	LZH0550 -T	LZH0650 -T	LZH0750 -T
Corresponding Model No. ^{※5}	LHW0401	LHW0481	LHW0551	LHW0651	LHW0751
A	145	160	170	175	185
B	32	40	45	50	58
C	19	23	26	29	35
D	16	20	23	25	29
E	16	19	22	25	31
F	20	25	28	34	40
G	17	21	23.5	29	33
H	16	20	22.5	25	29

Notes :

1. Material : S50CH
2. If necessary, the front end should be additionally machined.
3. When determining the phase, refer to taper lock lever design dimensions for each model for the additional machining.

※5. Refer to Accessory of Quick Change Lever Type A for -A (Quick Change Lever Type A).

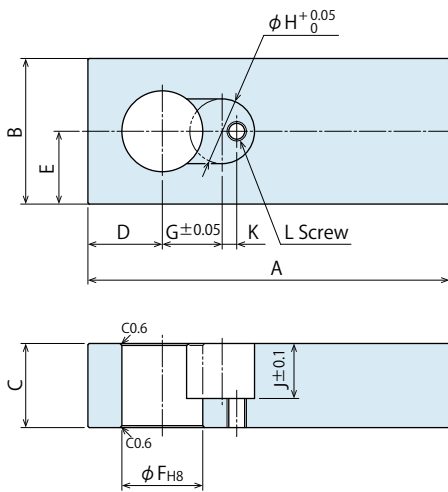
Accessories : Material Swing Lever for Quick Change Lever Type A

Model No. Indication

LZH 048 0 - A

Size (Refer to the table.)

Design No. (Revision Number)



Model No.	LZH0400 -A	LZH0480 -A	LZH0550 -A	LZH0650 -A	LZH0750 -A
Corresponding Model No.	LHW0401 -□□□-A	LHW0481 -□□□-A	LHW0551 -□□□-A	LHW0651 -□□□-A	LHW0751 -□□□-A
A	145	160	170	175	185
B	32	40	45	50	58
C	19	23	26	29	35
D	16	20	23	25	29
E	16	20	22.5	25	29
F	18 ^{+0.027}	22 ^{+0.033}	25 ^{+0.033}	30 ^{+0.033}	35.5 ^{+0.039}
G	15	16.5	18.5	20.5	25
H	15	18	20	24	28
J	13	15.5	17	19	21
K	2.5	4	4.5	6.5	6.5
L	M5×0.8	M5×0.8	M6×1	M6×1	M8×1.25

Notes :

1. Material : S50CH
2. If necessary, the front end should be additionally machined.
3. The pin hole for stopper and lever phasing should be additionally machined by referring to Quick Change Lever Type A Design Dimensions.
4. Tightening Kit (LZH□-W) for Quick Change Lever Type A is sold separately.

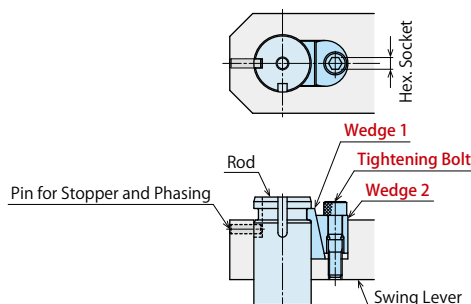
Accessories : Tightening Kit for Quick Change Lever Type A

Model No. Indication

LZH 048 0 - W

Size (Refer to the table.)

Design No. (Revision Number)



Tightening Kit for mounting Quick Change Lever Type A.
Sold separately from clamp body.

【Contents of Tightening Kit】

- Wedge 1
- Wedge 2
- Tightening Bolt

Model No.	LZH0400 -W	LZH0480 -W	LZH0550 -W	LZH0650 -W	LZH0750 -W
Corresponding Model No.	LHW0401 -□□□-A	LHW0481 -□□□-A	LHW0551 -□□□-A	LHW0651 -□□□-A	LHW0751 -□□□-A
Nominal×Pitch of Tightening Bolt	M5×0.8	M5×0.8	M6×1	M6×1	M8×1.25
Hex. Socket mm	4	4	5	5	6
Tightening Torque N·m	5.0	5.0	8.0	8.0	20

- High-Power Series
- Pneumatic Series
- Hydraulic Series**
- Valve / Coupler Hydraulic Unit
- Manual Operation Accessories
- Cautions / Others

Hole Clamp

- SFA
- SFC

Swing Clamp

- LHA
- LHC
- LHS
- LHW**
- LT/LG
- TLA-2
- TLB-2
- TLA-1

Link Clamp

- LKA
- LKC
- LKW
- LM/LJ
- TMA-2
- TMA-1

Work Support

- LD
- LC
- TNC
- TC

Air Sensing Lift Cylinder

- LLW

Compact Cylinder

- LL
- LLR
- LLU
- DP
- DR
- DS
- DT

Block Cylinder

- DBA
- DBC

Centering Vise

- FVA
- FVD
- FVC

Control Valve

- BZL
- BZT
- BZX/JZG

Pallet Clamp

- VS
- VT

Expansion Locating Pin

- VFL
- VFM
- VFJ
- VFK

Pull Stud Clamp

- FP
- FQ

Customized Spring Cylinder

- DWA/DWB

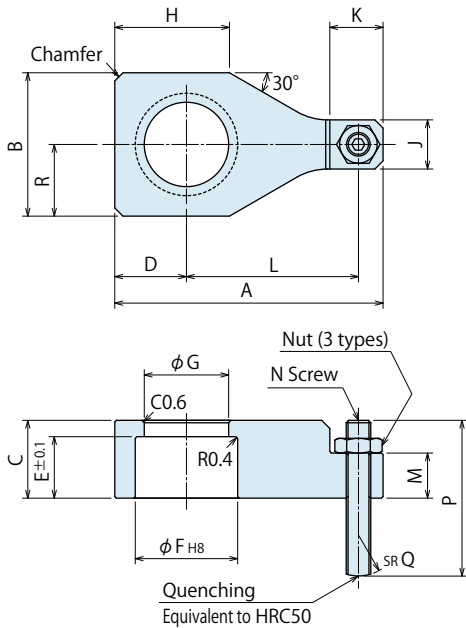
Accessories : Material Swing Lever for Taper Lock Option

Model No. Indication

LZ 040 0 - LE1

Size
(Refer to the table.)

Design No.
(Revision Number)



Model No.	LZ0300 -LE1	LZ0360 -LE1	LZ0400 -LE1	LZ0481 ^{※2} -LE1	LZ0550 -LE1	LZ0650 -LE1	LZ0750 -LE1	LZ0900 -LE1	LZ1050 -LE1
Corresponding Model No. ^{※1}	LT0301 LG0301	LT0361 LG0361	LT0401 LG0401	LT0481 LG0481	LT0551 LG0551	LT0651 LG0651	LT0751 LG0751	LG0901	LG1051
A	44	50	56.5	65.5	77	91.5	105	127	152
B	19	26	28	35	38	50	58	75	90
C	12	12	16	19	25	25	32	38	45
D	9.5	13	14	17.5	19	25	29	38	45
E	9.5	9.5	13	15	21	21	27	33	39
F	13.5 ^{+0.027} ₀	17 ^{+0.027} ₀	20 ^{+0.033} ₀	25 ^{+0.033} ₀	28 ^{+0.033} ₀	34 ^{+0.039} ₀	40 ^{+0.039} ₀	49 ^{+0.039} ₀	60 ^{+0.046} ₀
G	11 ^{+0.15} ₀	13.9 ^{+0.15} ₀	16.7 ^{+0.15} ₀	20.6 ^{+0.15} ₀	23 ^{+0.15} ₀	28 ^{+0.15} ₀	32.9 ^{+0.20} ₀	41.8 ^{+0.20} ₀	51.2 ^{+0.20} ₀
H	17.5	22.5	24	28	34	40	47	53	65
J	8	10	12	12	17	19	22	27	32
K	10	11	13	13	17	22	25	31	38
L	30	32	36.5	42	50	56.5	65	75	90
M	7	7.5	10	11	15	13	16	22	27
N	M4×0.7	M5×0.8	M6×1	M6×1	M8×1.25	M10×1.5	M12×1.75	M16×2	M20×2.5
P	18	28	33	38	42	47	52	56	65
Q	8	8	10	10	15	20	30	45	60
R	9.5	13	14	17.5	19	25	29	37.5	45
Chamfer	C1	C1	C1	C1	C1	C3	C4	C10	C16

Notes :

1. Material : S45C
 2. When determining the phase, refer to taper lock lever design dimensions for each model for the additional machining.
- ※1. Refer to Accessory of Quick Change Lever Type A for -A (Quick Change Lever Type A). Refer to Accessory of Quick Change Lever Type F for -F (Quick Change Lever Type F). For -P (Balance Lever Option), it should be designed by customer.
- ※2. The design number is 1 only for LZ048.

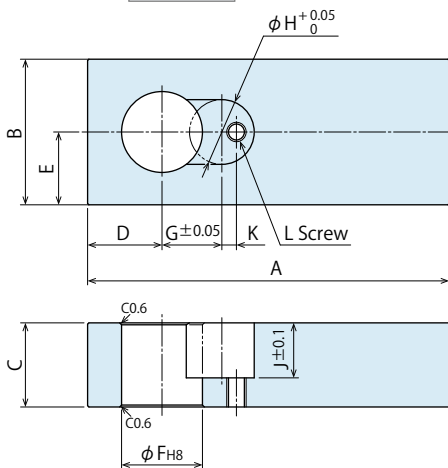
Accessories : Material Swing Lever for Quick Change Lever Type A

Model No. Indication

LZH 040 0 - A

Size
(Refer to the table.)

Design No.
(Revision Number)



Model No.	LZH0300 -A	LZH0360 -A	LZH0400 -A	LZH0480 -A	LZH0550 -A	LZH0650 -A	LZH0750 -A	LZH0900 -A	LZH1050 -A
Corresponding Model No.	LT0301-A LG0301-A	LT0361-A LG0361-A	LT0401-A LG0401-A	LT0481-A LG0481-A	LT0551-A LG0551-A	LT0651-A LG0651-A	LT0751-A LG0751-A	LT0901-A LG0901-A	LT1051-A LG1051-A
A	90	120	145	160	170	175	185	220	270
B	21	26	32	40	45	50	58	75	90
C	14	17	19	23	26	29	35	43	50
D	10.5	13	16	20	23	25	29	38	45
E	10.5	13	16	20	22.5	25	29	37.5	45
F	12 ^{+0.027} ₀	15 ^{+0.027} ₀	18 ^{+0.027} ₀	22 ^{+0.033} ₀	25 ^{+0.033} ₀	30 ^{+0.033} ₀	35.5 ^{+0.039} ₀	45 ^{+0.039} ₀	55 ^{+0.046} ₀
G	10.75	12.5	15	16.5	18.5	20.5	25	31	33.5
H	10.5	12	15	18	20	24	28	36	46
J	9.5	11	13	15.5	17	19	21	28	33
K	1.25	2	2.5	4	4.5	6.5	6.5	9	14
L	M4×0.7	M4×0.7	M5×0.8	M5×0.8	M6×1	M6×1	M8×1.25	M10×1.5	M10×1.5

Notes :

1. Material : S50CH
2. If necessary, the front end should be additionally machined.
3. The pin hole for stopper and lever phasing should be additionally machined by referring to Quick Change Lever Type A Design Dimensions.
4. Tightening Kit (LZH□-W) for Quick Change Lever Type A is sold separately.

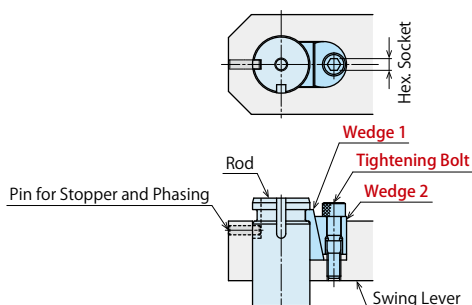
Accessories : Tightening Kit for Quick Change Lever Type A

Model No. Indication

LZH 040 0 - W

Size
(Refer to the table.)

Design No.
(Revision Number)



Tightening Kit for mounting Quick Change Lever Type A.

Sold separately from clamp body.

[Contents of Tightening Kit]

- Wedge 1
- Wedge 2
- Tightening Bolt

Model No.	LZH0300 -W	LZH0360 -W	LZH0400 -W	LZH0480 -W	LZH0550 -W	LZH0650 -W	LZH0750 -W	LZH0900 -W	LZH1050 -W
Corresponding Model No.	LT0301-A LG0301-A	LT0361-A LG0361-A	LT0401-A LG0401-A	LT0481-A LG0481-A	LT0551-A LG0551-A	LT0651-A LG0651-A	LT0751-A LG0751-A	LT0901-A LG0901-A	LT1051-A LG1051-A
Nominal×Pitch of Tightening Bolt	M4×0.7	M4×0.7	M5×0.8	M5×0.8	M6×1	M6×1	M8×1.25	M10×1.5	M10×1.5
Hex. Socket mm	3	3	4	4	5	5	6	8	8
Tightening Torque N·m	2.5	2.5	5.0	5.0	8.0	8.0	20	40	45