

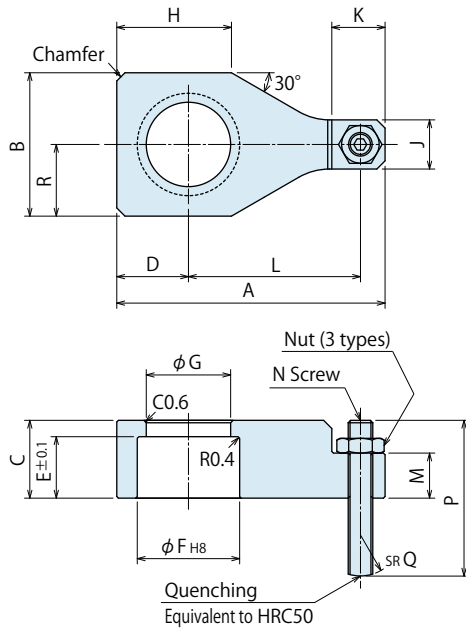
Accessories : Material Swing Lever for Taper Lock Option

Model No. Indication

LZ 040 0 - LE1

Size
(Refer to the table.)

Design No.
(Revision Number)



Model No.	LZ0300 -LE1	LZ0360 -LE1	LZ0400 -LE1	LZ0481 ^{※2} -LE1	LZ0550 -LE1	LZ0650 -LE1	LZ0750 -LE1	LZ0900 -LE1	LZ1050 -LE1
Corresponding Model No. ^{※1}	LT0301 LG0301	LT0361 LG0361	LT0401 LG0401	LT0481 LG0481	LT0551 LG0551	LT0651 LG0651	LT0751 LG0751	LG0901	LG1051
A	44	50	56.5	65.5	77	91.5	105	127	152
B	19	26	28	35	38	50	58	75	90
C	12	12	16	19	25	25	32	38	45
D	9.5	13	14	17.5	19	25	29	38	45
E	9.5	9.5	13	15	21	21	27	33	39
F	13.5 ^{+0.027} ₀	17 ^{+0.027} ₀	20 ^{+0.033} ₀	25 ^{+0.033} ₀	28 ^{+0.033} ₀	34 ^{+0.039} ₀	40 ^{+0.039} ₀	49 ^{+0.039} ₀	60 ^{+0.046} ₀
G	11 ^{+0.15} ₀	13.9 ^{+0.15} ₀	16.7 ^{+0.15} ₀	20.6 ^{+0.15} ₀	23 ^{+0.15} ₀	28 ^{+0.15} ₀	32.9 ^{+0.20} ₀	41.8 ^{+0.20} ₀	51.2 ^{+0.20} ₀
H	17.5	22.5	24	28	34	40	47	53	65
J	8	10	12	12	17	19	22	27	32
K	10	11	13	13	17	22	25	31	38
L	30	32	36.5	42	50	56.5	65	75	90
M	7	7.5	10	11	15	13	16	22	27
N	M4×0.7	M5×0.8	M6×1	M6×1	M8×1.25	M10×1.5	M12×1.75	M16×2	M20×2.5
P	18	28	33	38	42	47	52	56	65
Q	8	8	10	10	15	20	30	45	60
R	9.5	13	14	17.5	19	25	29	37.5	45
Chamfer	C1	C1	C1	C1	C1	C3	C4	C10	C16

Notes :

1. Material : S45C
 2. When determining the phase, refer to taper lock lever design dimensions for each model for the additional machining.
- ※1. Refer to Accessory of Quick Change Lever Type A for -A (Quick Change Lever Type A). Refer to Accessory of Quick Change Lever Type F for -F (Quick Change Lever Type F). For -P (Balance Lever Option), it should be designed by customer.
- ※2. The design number is 1 only for LZ048.

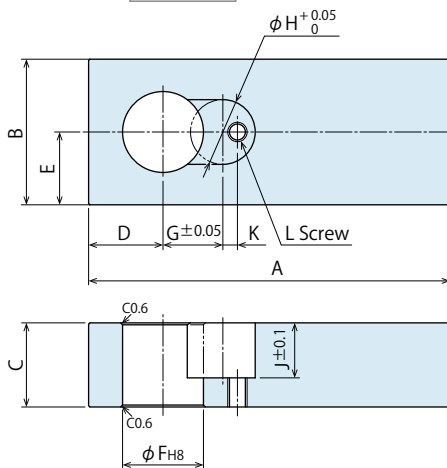
Accessories : Material Swing Lever for Quick Change Lever Type A

Model No. Indication

LZH 040 0 - A

Size
(Refer to the table.)

Design No.
(Revision Number)



Model No.	LZH0300 -A	LZH0360 -A	LZH0400 -A	LZH0480 -A	LZH0550 -A	LZH0650 -A	LZH0750 -A	LZH0900 -A	LZH1050 -A
Corresponding Model No.	LT0301-A LG0301-A	LT0361-A LG0361-A	LT0401-A LG0401-A	LT0481-A LG0481-A	LT0551-A LG0551-A	LT0651-A LG0651-A	LT0751-A LG0751-A	LT0901-A LG0901-A	LT1051-A LG1051-A
A	90	120	145	160	170	175	185	220	270
B	21	26	32	40	45	50	58	75	90
C	14	17	19	23	26	29	35	43	50
D	10.5	13	16	20	23	25	29	38	45
E	10.5	13	16	20	22.5	25	29	37.5	45
F	12 ^{+0.027} ₀	15 ^{+0.027} ₀	18 ^{+0.027} ₀	22 ^{+0.033} ₀	25 ^{+0.033} ₀	30 ^{+0.033} ₀	35.5 ^{+0.039} ₀	45 ^{+0.039} ₀	55 ^{+0.046} ₀
G	10.75	12.5	15	16.5	18.5	20.5	25	31	33.5
H	10.5	12	15	18	20	24	28	36	46
J	9.5	11	13	15.5	17	19	21	28	33
K	1.25	2	2.5	4	4.5	6.5	6.5	9	14
L	M4×0.7	M4×0.7	M5×0.8	M5×0.8	M6×1	M6×1	M8×1.25	M10×1.5	M10×1.5

Notes :

1. Material : S50CH
2. If necessary, the front end should be additionally machined.
3. The pin hole for stopper and lever phasing should be additionally machined by referring to Quick Change Lever Type A Design Dimensions.
4. Tightening Kit (LZH□-W) for Quick Change Lever Type A is sold separately.

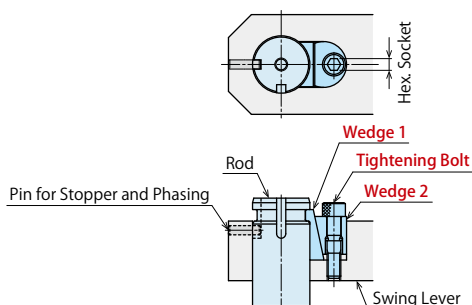
Accessories : Tightening Kit for Quick Change Lever Type A

Model No. Indication

LZH 040 0 - W

Size
(Refer to the table.)

Design No.
(Revision Number)



Tightening Kit for mounting Quick Change Lever Type A.

Sold separately from clamp body.

[Contents of Tightening Kit]

- Wedge 1
- Wedge 2
- Tightening Bolt

Model No.	LZH0300 -W	LZH0360 -W	LZH0400 -W	LZH0480 -W	LZH0550 -W	LZH0650 -W	LZH0750 -W	LZH0900 -W	LZH1050 -W
Corresponding Model No.	LT0301-A LG0301-A	LT0361-A LG0361-A	LT0401-A LG0401-A	LT0481-A LG0481-A	LT0551-A LG0551-A	LT0651-A LG0651-A	LT0751-A LG0751-A	LT0901-A LG0901-A	LT1051-A LG1051-A
Nominal×Pitch of Tightening Bolt	M4×0.7	M4×0.7	M5×0.8	M5×0.8	M6×1	M6×1	M8×1.25	M10×1.5	M10×1.5
Hex. Socket mm	3	3	4	4	5	5	6	8	8
Tightening Torque N·m	2.5	2.5	5.0	5.0	8.0	8.0	20	40	45

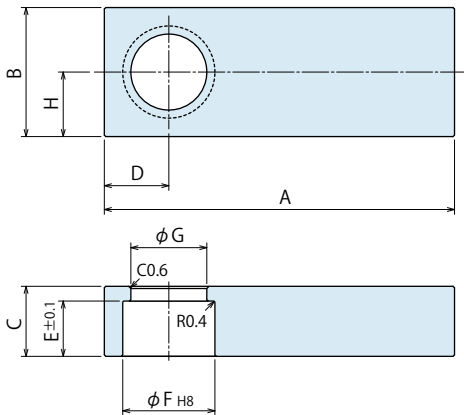
Accessories : Material Swing Lever for Taper Lock Option

Model No. Indication

LZ 040 0 - LE2

Size
(Refer to the table.)

Design No.
(Revision Number)



(mm)

Model No.	LZ0300-LE2	LZ0360-LE2	LZ0400-LE2	LZ0481 ^{※4} -LE2	LZ0550-LE2	LZ0650-LE2	LZ0750-LE2	LZ0900-LE2	LZ1050-LE2
Corresponding Model No. ^{※3}	LT0301 LG0301	LT0361 LG0361	LT0401 LG0401	LT0481 LG0481	LT0551 LG0551	LT0651 LG0651	LT0751 LG0751	LG0901	LG1051
A	79.5	85	90	95	100	120	125	180	250
B	19	26	28	35	38	50	58	75	90
C	12	12	16	19	25	25	32	38	45
D	9.5	13	14	17.5	19	25	29	38	45
E	9.5	9.5	13	15	21	21	27	33	39
F	13.5 ^{+0.027} ₀	17 ^{+0.027} ₀	20 ^{+0.033} ₀	25 ^{+0.033} ₀	28 ^{+0.033} ₀	34 ^{+0.039} ₀	40 ^{+0.039} ₀	49 ^{+0.039} ₀	60 ^{+0.046} ₀
G	11 ^{+0.15} ₀	13.9 ^{+0.15} ₀	16.7 ^{+0.15} ₀	20.6 ^{+0.15} ₀	23 ^{+0.15} ₀	28 ^{+0.15} ₀	32.9 ^{+0.20} ₀	41.8 ^{+0.20} ₀	51.2 ^{+0.20} ₀
H	9.5	13	14	17.5	19	25	29	37.5	45

Notes :

1. Material : S45C
2. If necessary, the front end should be additionally machined.
3. When determining the phase, refer to taper lock lever design dimensions for each model for the additional machining.
- ※3. Refer to Accessory of Quick Change Lever Type A for -A (Quick Change Lever Type A). Refer to Accessory of Quick Change Lever Type F for -F (Quick Change Lever Type F). For -P (Balance Lever Option), it should be designed by customer.
- ※4. The design number is 1 only for LZ048.

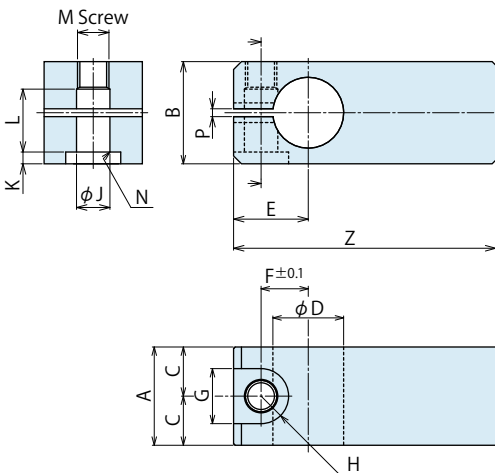
Accessories : Material Swing Lever for Quick Change Lever Type F

Model No. Indication

LZH 040 0 - F

Size
(Refer to the table.)

Design No.
(Revision Number)



(mm)

Model No.	LZH0300-F	LZH0360-F	LZH0400-F	LZH0480-F	LZH0550-F	LZH0650-F	LZH0750-F	LZH0900-F	LZH1050-F
Corresponding Model No. ^{※1}	LT0301-F LG0301-F	LT0361-F LG0361-F	LT0401-F LG0401-F	LT0481-F LG0481-F	LT0551-F LG0551-F	LT0651-F LG0651-F	LT0751-F LG0751-F	LG0901-F	LG1051-F
A	16	22	25	30	34	40	46	55	60
B	19	22	26	32	36	45	53	70	82
C	8	11	12.5	15	17	20	23	27.5	30
D	12 ^{-0.016} ₀	15 ^{-0.016} ₀	18 ^{-0.016} ₀	22 ^{-0.020} ₀	25 ^{-0.020} ₀	30 ^{-0.020} ₀	35.5 ^{-0.025} ₀	45 ^{-0.025} ₀	55 ^{-0.030} ₀
E	13	15	19	23	26.5	31.5	36.5	46	55
F	7.75	9.75	12	14.75	17	20	23.5	29.75	36
G	10	11	14	17.5	20	23	26	32	39
H	R5	R5.5	R7	R8.75	R10	R11.5	R13	R16	R19.5
J	5.5	6.5	8.5	10.5	12.5	14.5	16.5	21	25
K	1.5	2	3	4	4	5	7	9	11
L	11.5	13.5	16	18	22	26.5	31	42	46
M	M5×0.8	M6×1	M8×1	M10×1.25	M12×1.5	M14×1.5	M16×1.5	M20×2	M24×2
N	C0.4	C0.4	C0.6	C0.6	C1	C1	C1	C1	C1
P	2	2	2	2	2	2	2	2	2
Z	100	120	145	160	170	175	185	220	270

Notes :

1. Material : S50CH
2. If necessary, the front end should be additionally machined.
3. The pin hole for stopper and lever phasing should be additionally machined by referring to Quick Change Lever Type F Design Dimensions.
4. Tightening Bolt (LZH□-B) for Quick Change Lever Type F is sold separately.

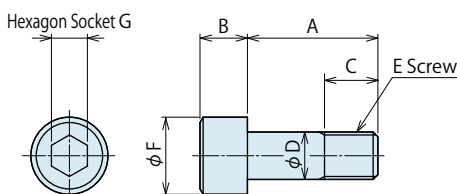
Accessories : Tightening Bolts for Quick Change Lever Type F

Model No. Indication

LZH 040 0 - B

Size
(Refer to the table.)

Design No.
(Revision Number)



(mm)

Model No.	LZH0300-B	LZH0360-B	LZH0400-B	LZH0480-B	LZH0550-B	LZH0650-B	LZH0750-B	LZH0900-B	LZH1050-B
Corresponding Model No. ^{※1}	LT0301-F LG0301-F	LT0361-F LG0361-F	LT0401-F LG0401-F	LT0481-F LG0481-F	LT0551-F LG0551-F	LT0651-F LG0651-F	LT0751-F LG0751-F	LG0901-F	LG1051-F
A	17.5	20	23	28	32	40	46	61	71
B	5	6	8	10	12	14	16	20	24
C	6.5	7	10	11	13	16	18	23	27
D	5	6	8	10	12	14	16	20	24
E	M5×0.8	M6×1	M8×1	M10×1.25	M12×1.5	M14×1.5	M16×1.5	M20×2	M24×2
F	8.5	10	13	16	18	21	24	30	36
G	4	5	6	8	10	12	14	17	19

High-Power Series

Pneumatic Series

Hydraulic Series

Valve / Coupler Hydraulic Unit

Manual Operation Accessories

Cautions / Others

Hole Clamp

SFA

SFC

Swing Clamp

LHA

LHC

LHS

LHW

LT/LG

TLA-2

TLB-2

TLA-1

Link Clamp

LKA

LKC

LKW

LM/LJ

TMA-2

TMA-1

Work Support

LD

LC

TNC

TC

Air Sensing Lift Cylinder

LLW

Compact Cylinder

LL

LLR

LLU

DP

DR

DS

DT

Block Cylinder

DBA

DBC

Centering Vise

FVA

FVD

FVC

Control Valve

BZL

BZT

BZX/JZG

Pallet Clamp

VS

VT

Expansion Locating Pin

VFL

VFM

VFJ

VFK

Pull Stud Clamp

FP

FQ

Customized Spring Cylinder

DWA/DWB