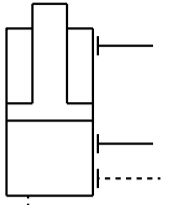
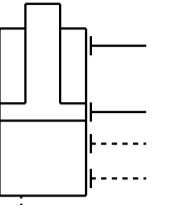
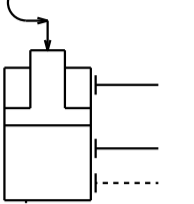
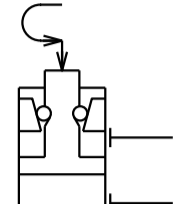
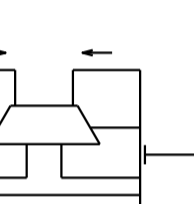
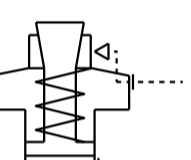
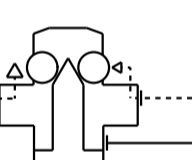
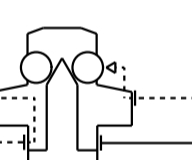
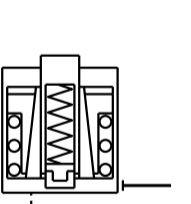
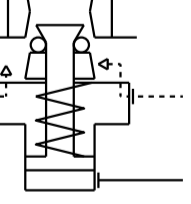
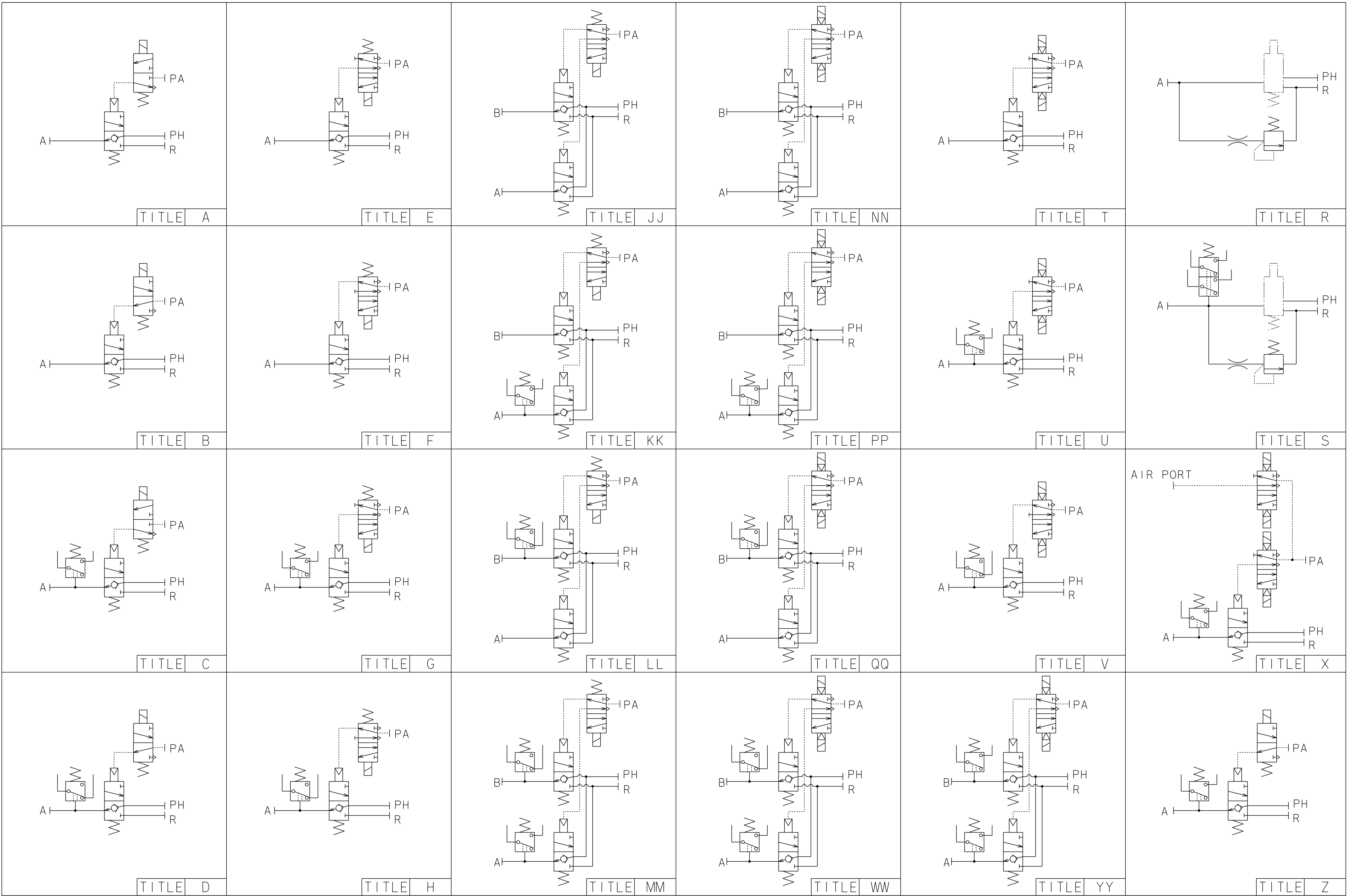


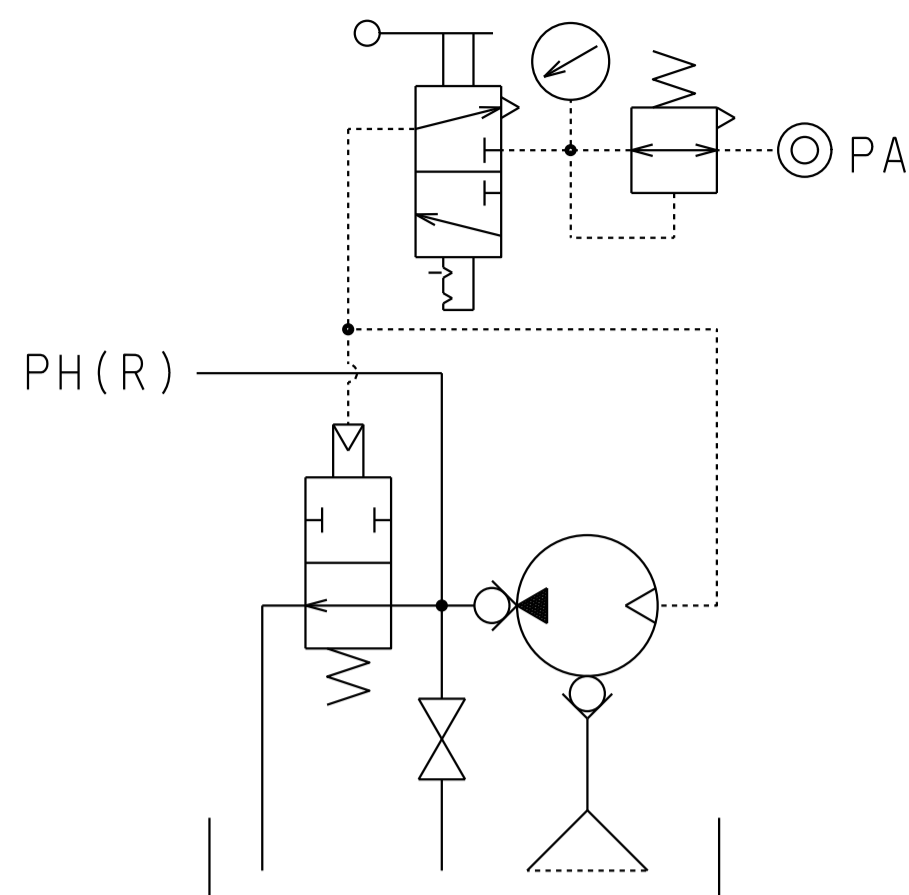
MODEL WHA, WHD DOUBLE ACTION SWING CLAMP	MODEL WHA-D DOUBLE ACTION SWING CLAMP	MODEL WHE, WHG, WHJ DOUBLE ACTION SWING CLAMP	MODEL WHE-D DOUBLE ACTION SWING CLAMP	MODEL WHE, WHJ-M/N DOUBLE ACTION SWING CLAMP	MODEL SWA, SWE DOUBLE ACTION HOLE CLAMP	
MODEL WCA DOUBLE ACTION SWING CLAMP	MODEL WCA-D DOUBLE ACTION SWING CLAMP	MODEL WCE, WCG, WCJ DOUBLE ACTION LINK CLAMP	MODEL WCE, WCJ-M/N DOUBLE ACTION SWING CLAMP	MODEL WNC SINGLE ACTION WORK SUPPORT	MODEL WDC SINGLE ACTION AUTO BACKUP PIN	MODEL WNA SINGLE ACTION LOCK CYLINDER
MODEL VWK DOUBLE ACTION EXPANSION LOCATING PIN	MODEL VWK-B DOUBLE ACTION EXPANSION LOCATING PIN	MODEL VWK-M DOUBLE ACTION EXPANSION LOCATING PIN	MODEL VWM DOUBLE ACTION EXPANSION LOCATING PIN	MODEL VWM-B DOUBLE ACTION EXPANSION LOCATING PIN	MODEL VWM-M DOUBLE ACTION EXPANSION LOCATING PIN	MODEL VWH DOUBLE ACTION EXPANSION LOCATING PIN
MODEL VRA, VRC SINGLE ACTION EXPANSION LOCATING PIN	MODEL WKA SINGLE ACTION BALL LOCK CYLINDER	MODEL WPT DOUBLE ACTION PULL STUD CLAMP	MODEL WKH DOUBLE ACTION LOCATION HAND	MODEL SWP DOUBLE ACTION LOCATION PIN CLAMP	MODEL SWP-N DOUBLE ACTION LOCATION PIN CLAMP	MODEL SWJ DOUBLE ACTION LIFTING HOLE CLAMP
MODEL SWR-F DOUBLE ACTION ROBOTIC HAND CHANGER	MODEL SWR-A DOUBLE ACTION ROBOTIC HAND CHANGER	MODEL SWR-AF DOUBLE ACTION ROBOTIC HAND CHANGER	MODEL SWT, SWQ, WVS, WVG DOUBLE ACTION LOCATION CLAMP DOUBLE ACTION PALLET CLAMP	MODEL WVA DOUBLE ACTION PALLET GRIPPER	MODEL WVA PNEUMATIC SENSOR PIN	
MODEL WPP, WPQ DOUBLE ACTION TWO-JAW CHUCK DOUBLE ACTION THREE-JAW CHUCK	MODEL WPW-C PARALLEL HAND WITH AUTO-GRIP CHANGER	MODEL WPS-C, WPA DOUBLE ACTION PARALLEL HAND GRIPPER	MODEL WPE, WPJ DOUBLE ACTION ANGULAR GRIPPER	MODEL WPF, WPH DOUBLE ACTION TWO-JAW CHUCK	MODEL WRC SINGLE ACTION COMPLIANCE MODULE	

 MODEL LL, LLR, LLU, LLP DBA, DBC DOUBLE ACTION LINEAR CYLINDER	 MODEL LL-D, LLR-D, LLU-D DOUBLE ACTION LINEAR CYLINDER	 MODEL LL-M, LL-N DOUBLE ACTION LINEAR CYLINDER	 MODEL LL-RM, LL-RN DOUBLE ACTION LINEAR CYLINDER	 MODEL DP SINGLE ACTION PUSH CYLINDER	 MODEL DR, DS, DT SINGLE ACTION PULL CYLINDER	 MODEL DWA SINGLE ACTION PUSH CYLINDER	 MODEL DWB SINGLE ACTION PULL CYLINDER	 MODEL LLV DOUBLE ACTION LIFT CYLINDER	 MODEL LLW DOUBLE ACTION LIFT CYLINDER
 MODEL LHA, LHC, LHS, LHD TLA-2, TLB DOUBLE ACTION SWING CLAMP	 MODEL LHA-D DOUBLE ACTION SWING CLAMP	 MODEL LHA-M DOUBLE ACTION SWING CLAMP	 MODEL LHV, TLV-2 DOUBLE ACTION SWING CLAMP	 MODEL LHW DOUBLE ACTION SWING CLAMP	 MODEL LHE DOUBLE ACTION SWING CLAMP	 MODEL LHE-M/N DOUBLE ACTION SWING CLAMP	 MODEL LG, LT, TLA-1 SINGLE ACTION SWING CLAMP		
 MODEL LKA, LKC, LKA, LKK TMA-2 DOUBLE ACTION LINK CLAMP	 MODEL LKA-D DOUBLE ACTION LINK CLAMP	 MODEL LKA-M DOUBLE ACTION LINK CLAMP	 MODEL LKV, TMV-2 DOUBLE ACTION LINK CLAMP	 MODEL LKW DOUBLE ACTION LINK CLAMP	 MODEL LKE DOUBLE ACTION LINK CLAMP	 MODEL LKE-M/N DOUBLE ACTION LINK CLAMP	 MODEL LJ, LM, TMA-1 DOUBLE ACTION LINK CLAMP		
 MODEL SFA, SFC DOUBLE ACTION HOLE CLAMP	 MODEL FVA DOUBLE ACTION CENTERING VISE	 MODEL FVC DOUBLE ACTION CENTERING VISE	 MODEL FVD, FVD-L DOUBLE ACTION CENTERING VISE						
 MODEL VFL SINGLE ACTION EXPANSION LOCATING PIN	 MODEL VFL-B SINGLE ACTION EXPANSION LOCATING PIN	 MODEL VFL-M SINGLE ACTION EXPANSION LOCATING PIN	 MODEL VFM, VFH DOUBLE ACTION EXPANSION LOCATING PIN	 MODEL VFM-B DOUBLE ACTION EXPANSION LOCATING PIN	 MODEL VFM-M DOUBLE ACTION EXPANSION LOCATING PIN				
 MODEL VFJ SINGLE ACTION EXPANSION LOCATING PIN	 MODEL VFJ-B SINGLE ACTION EXPANSION LOCATING PIN	 MODEL VFJ-M SINGLE ACTION EXPANSION LOCATING PIN	 MODEL VFK DOUBLE ACTION EXPANSION LOCATING PIN	 MODEL VFK-B DOUBLE ACTION EXPANSION LOCATING PIN	 MODEL VFK-M DOUBLE ACTION EXPANSION LOCATING PIN				
 MODEL LD, LC, TNC, TC SINGLE ACTION WORK SUPPORT	 MODEL LD-M, LC-M, TC-M TNC-M SINGLE ACTION WORK SUPPORT	 MODEL LCW SINGLE ACTION WORK SUPPORT	 MODEL LC-D, TC-D SINGLE ACTION WORK SUPPORT						
 MODEL VS SINGLE ACTION PALLET CLAMP	 MODEL VT DOUBLE ACTION PALLET CLAMP	 MODEL FP, FQ SINGLE ACTION PULL STUD CLAMP							

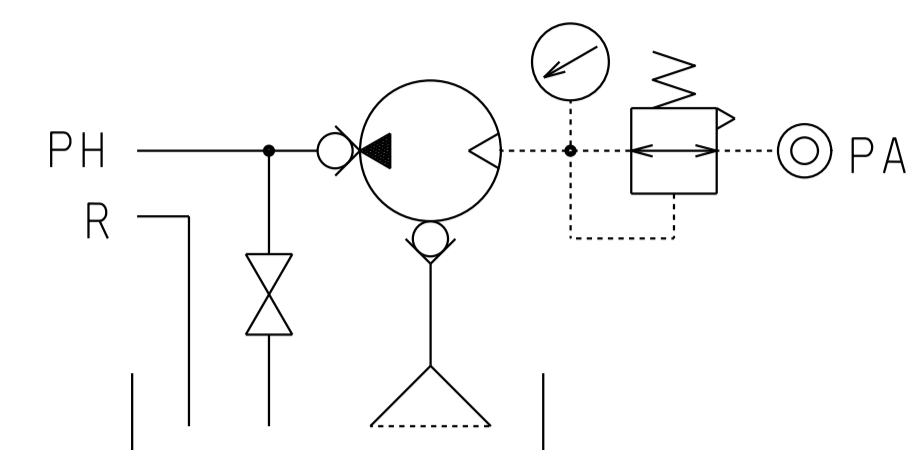
<p>MODEL BWD AIR SEQUENCE VALVE</p>	<p>MODEL BWS AIR SAFETY VALVE</p>	<p>MODEL SWRAORO, SWRAOMO AIR SAFETY PUSH VALVE</p>	<p>MODEL BGA-BGB, BGP-BGS HYDRAULIC NON LEAK COUPLER</p>	<p>MODEL BGC-BGD HYDRAULIC NON LEAK COUPLER</p>	<p>MODEL BBP-BBS HYDRAULIC NON LEAK COUPLER</p>	<p>MODEL BNP-BNS, BFP-BFS HYDRAULIC NON LEAK COUPLER</p>	<p>MODEL BJS-BJP HYDRAULIC NON LEAK COUPLER</p>
<p>MODEL JTA-JTB, JNA-JNB AIR AUTO COUPLER</p>	<p>MODEL JTC-JTD, JLP-JLS JVA0300-JVB0300, JVE-JVF AUTO COUPLER</p>	<p>MODEL JVA0200-JVB0200 JVC-JVD, JNC-JND AUTO COUPLER</p>	<p>MODEL JWC-JWD AIR LEAKLESS COUPLER</p>				
<p>MODEL BZL-A/B, BZI-A HYDRAULIC SPEED CONTROL VALVE</p>	<p>MODEL BZW-A/B AIR FLOW CONTROL VALVE</p>	<p>MODEL BK HYDRAULIC NON LEAK VALVE</p>	<p>MODEL BEQ HYDRAULIC NON LEAK VALVE</p>	<p>MODEL BT HYDRAULIC NON LEAK VALVE</p>	<p>MODEL BLS, BLG, BZS HYDRAULIC SEQUENCE VALVE</p>	<p>MODEL BLB HYDRAULIC PRESSURE BALANCE VALVE</p>	
<p>MODEL AU HYDRAULIC CONTINUOUS DISCHARGE BOOSTER</p>	<p>MODEL AU-MA HYDRAULIC CONTINUOUS DISCHARGE BOOSTER</p>	<p>MODEL AU-MB HYDRAULIC CONTINUOUS DISCHARGE BOOSTER</p>	<p>MODEL BU HYDRAULIC BOOSTER VALVE</p>	<p>MODEL BP HYDRAULIC PILOT RELIEF VALVE</p>	<p>MODEL JPB HYDRAULIC RESERVOIR</p>	<p>MODEL BX HYDRAULIC AUTO AIR BLEED VALVE</p>	<p>MODEL BEP HYDRAULIC NON LEAK PILOT CHECK VALVE</p>
<p>MODEL BSP-A HYDRAULIC NON LEAK CHECK VALVE</p>	<p>MODEL BSP-W HYDRAULIC NON LEAK CHECK VALVE</p>	<p>MODEL BSP-ADR HYDRAULIC NON LEAK CHECK VALVE</p>	<p>MODEL BSP-WDR HYDRAULIC NON LEAK CHECK VALVE</p>	<p>MODEL BH-A/B/NN HYDRAULIC HAND VALVE</p>			
<p>MODEL AB, AC AIR DRIVEN HYDRAULIC PUMP</p>	<p>MODEL AB-V, AC-V AIR DRIVEN HYDRAULIC PUMP</p>	<p>MODEL JS, JSS, JSA, JSB ACCUMULATOR</p>	<p>MODEL JKA, JKB HYDRAULIC PRESSURE INDICATOR</p>	<p>MODEL BMA, BMG HYDRAULIC REDUCING VALVE</p>	<p>MODEL BZX AIR BLEED VALVE</p>		



SCALE	SIZE	DATE	TITLE
NON	A2	2020.04.15	SYMBOL4
			FILE NAME
			CIRCUIT SYMBOL

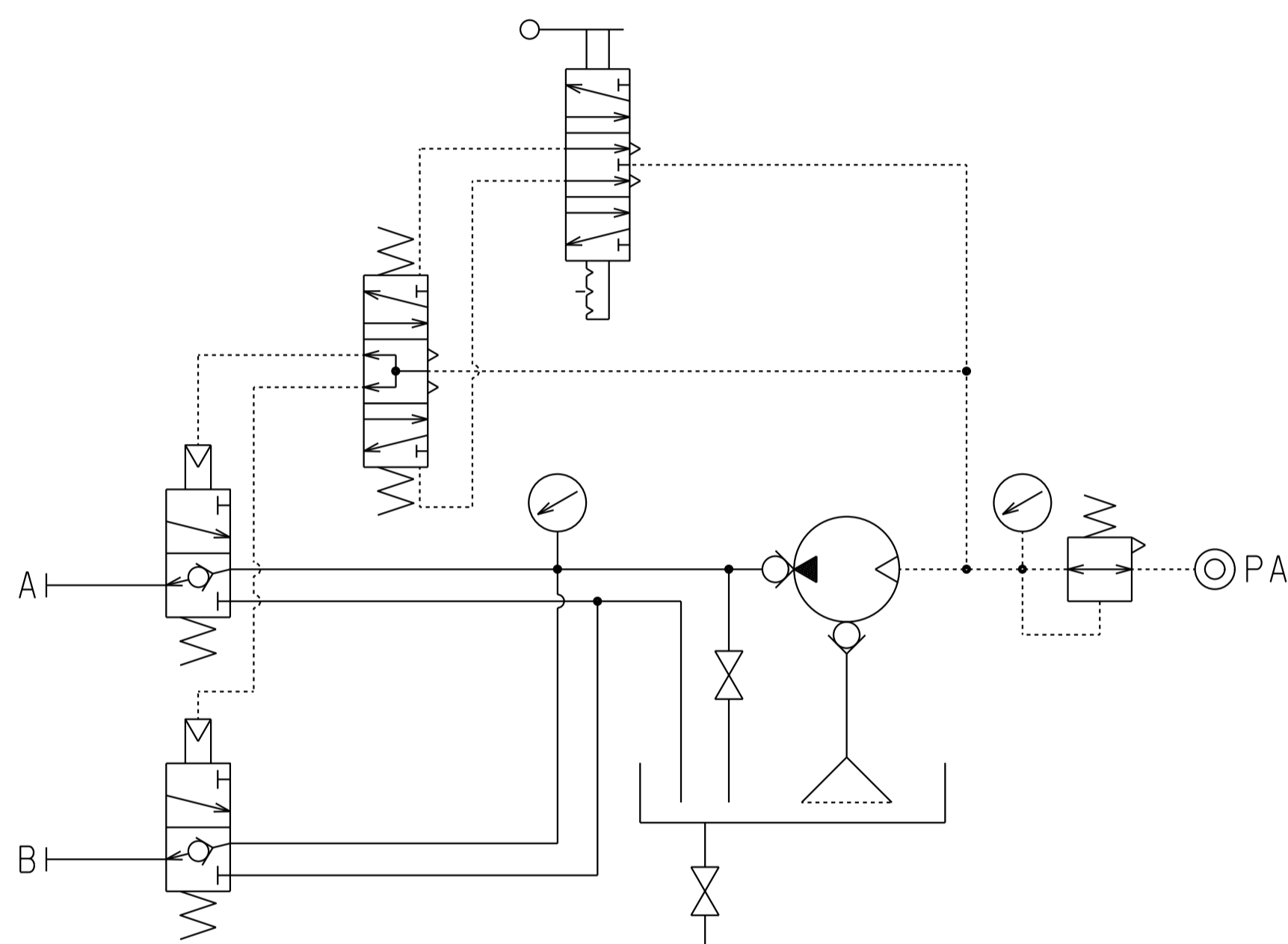


TITLE CV

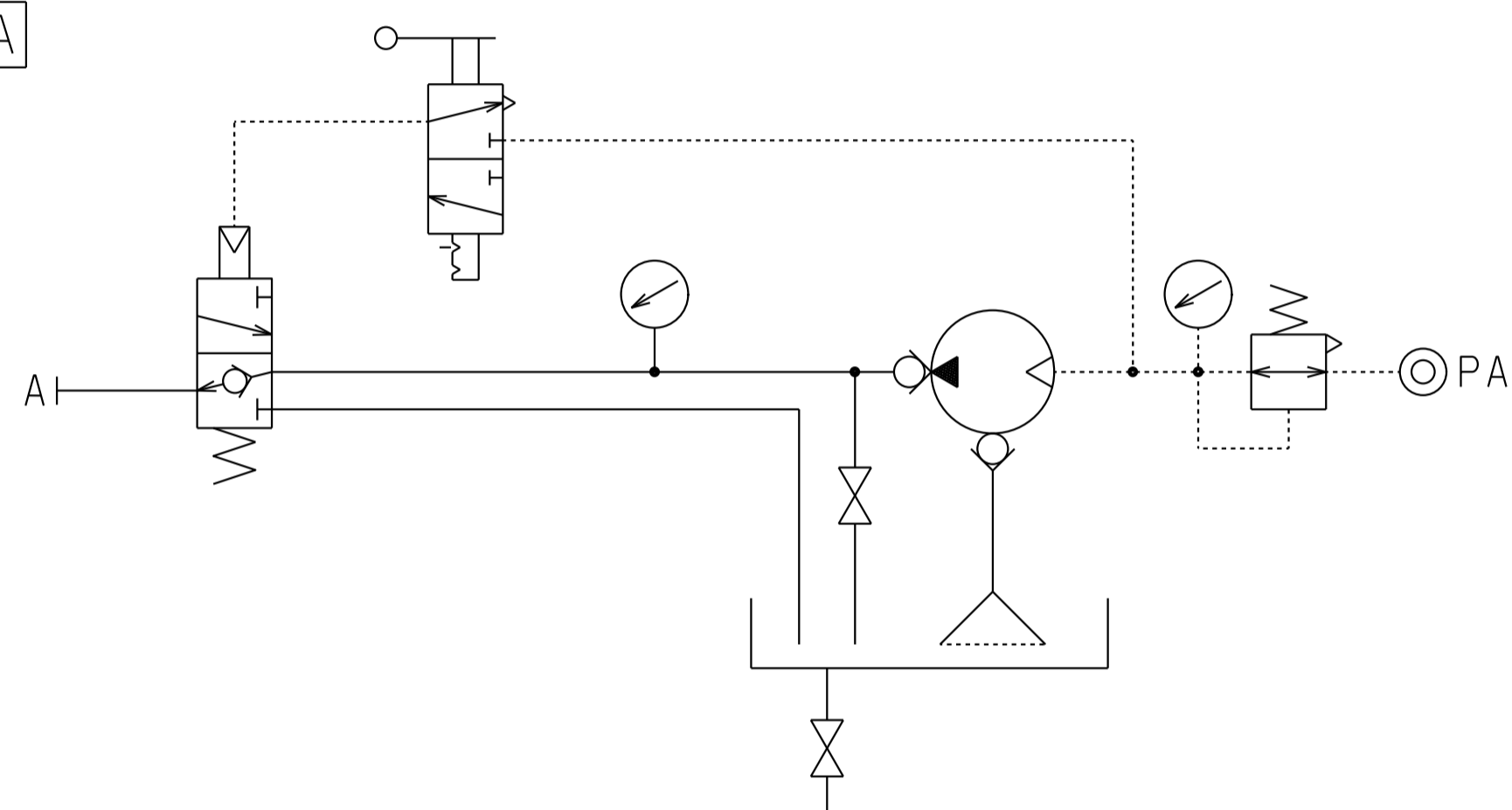


TITLE CB, CC

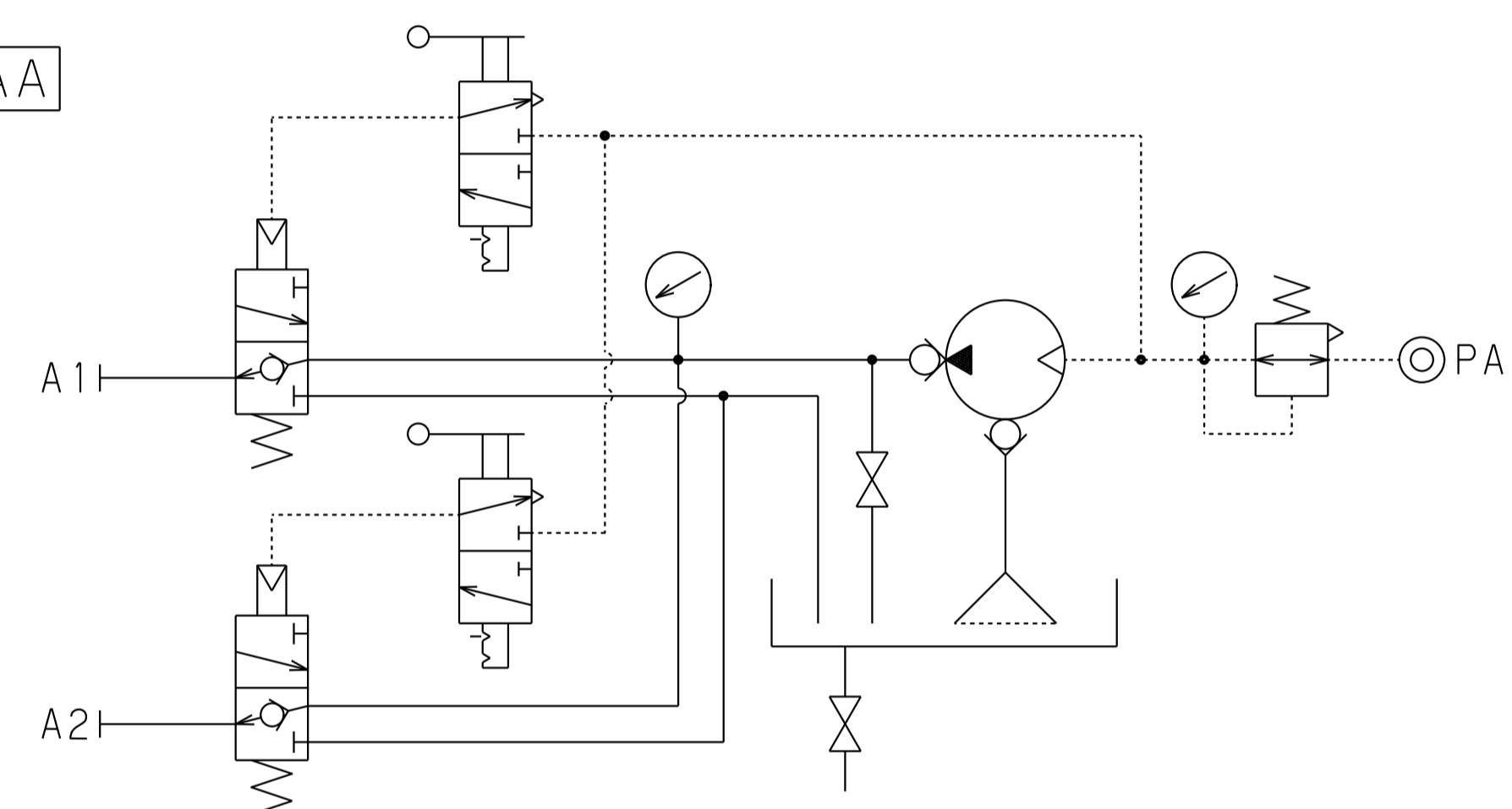
NN



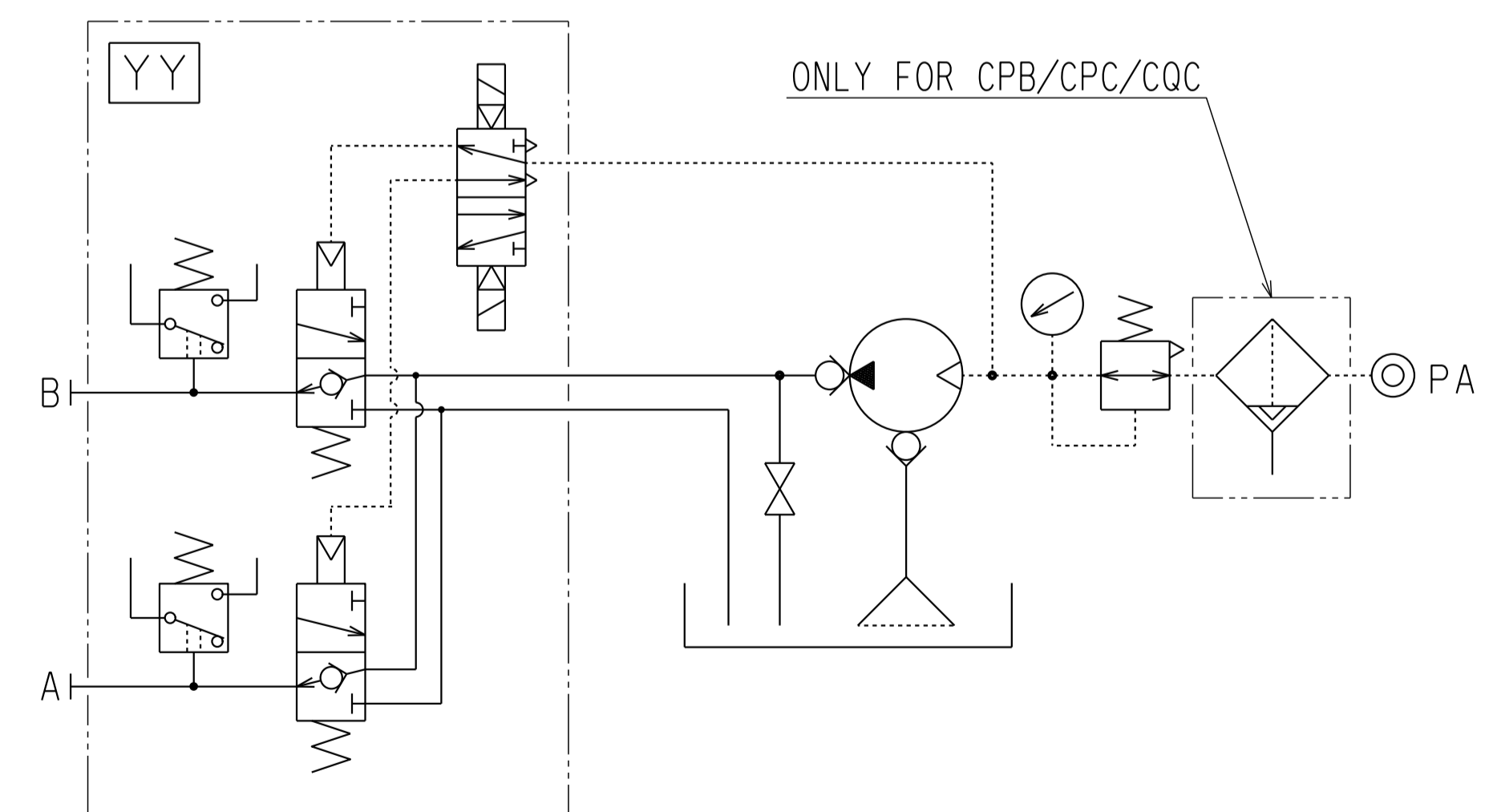
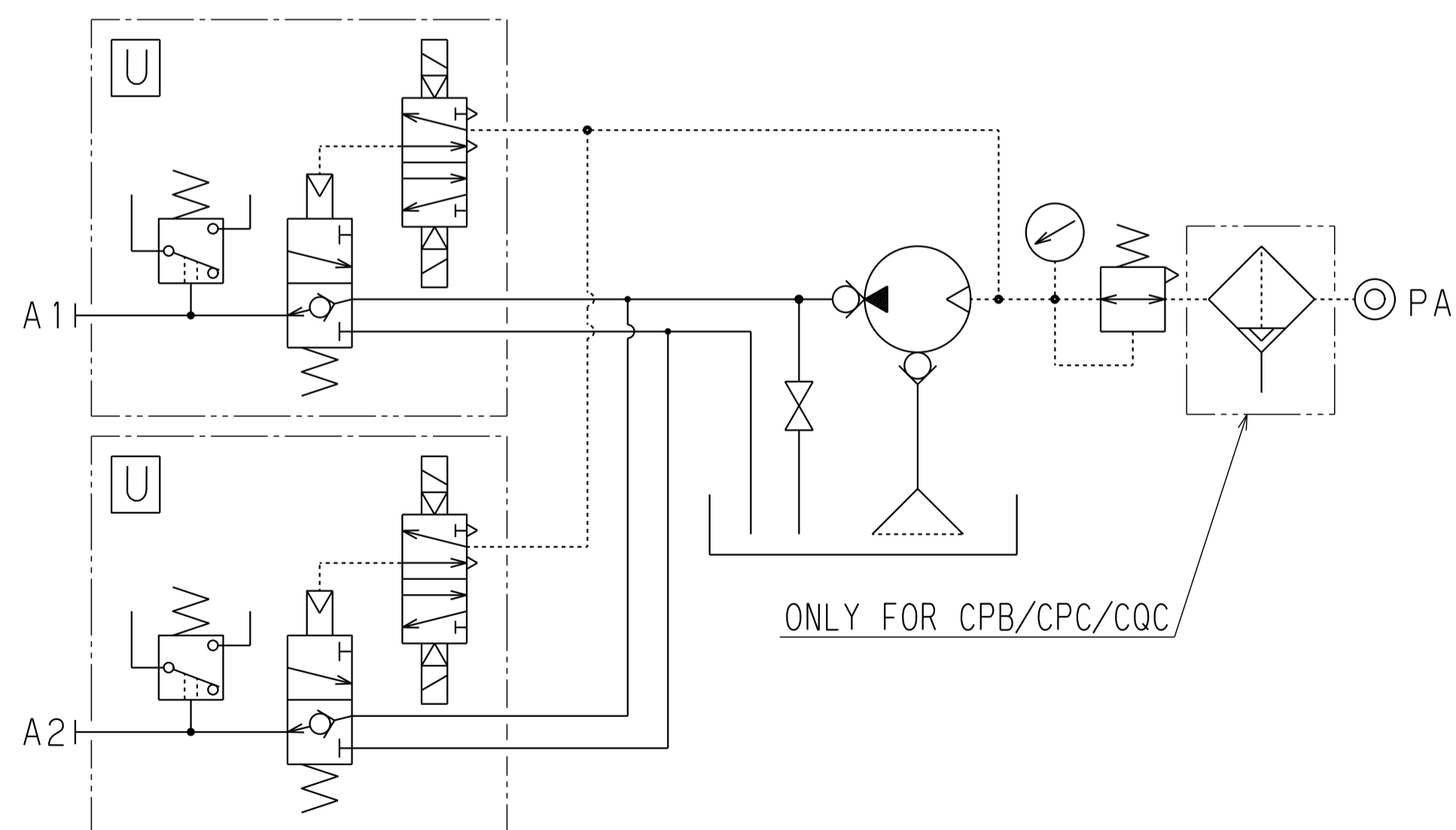
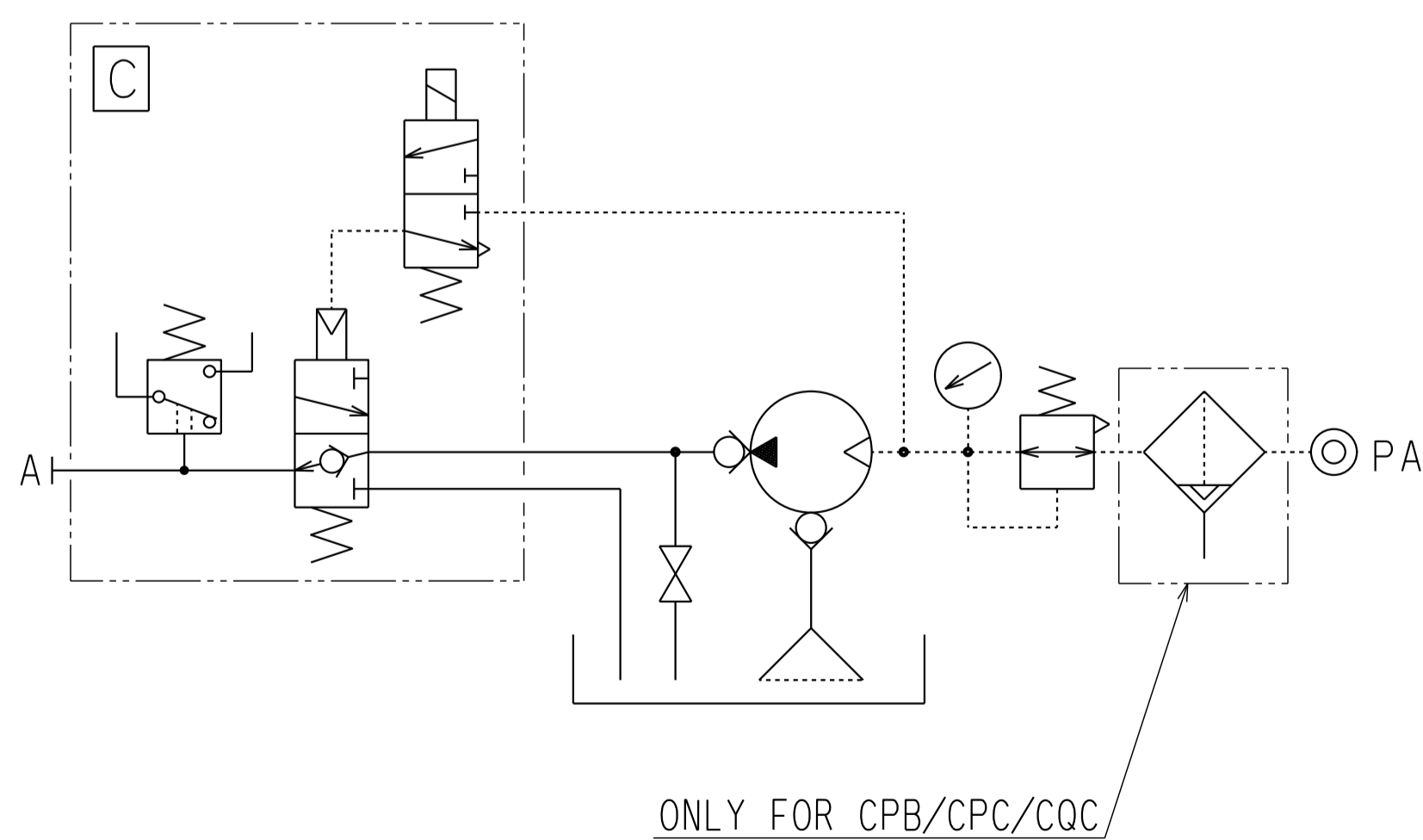
A



AA



TITLE CK



*その他の回路については、回路記号シンボルを参照願います。

*For other circuit, please refer to "CIRCUIT SYMBOL".

TITLE CP, CPB, CPC, CQC

SCALE	SIZE	DATE	TITLE
NON	A2	2020.04.15	SYMBOL5
KOSMEK			FILE NAME
			AIR HYDRAULIC UNIT